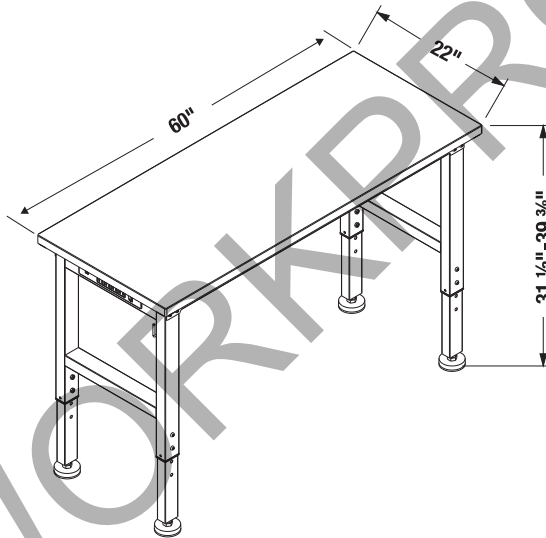


W082055A

WORKPRO

OPERATOR'S MANUAL

60" HEAVY-DUTY ADJUSTABLE WORKBENCH



USE PRECAUTION
For your safety



**INSTRUCTION
MANUAL**
Read and understand



EYE PROTECTION
Must be worn



PROTECTIVE GLOVES
Must be worn when
assembly



CAUTION: Read and follow all Safety Rules and Operating instructions before first use of this product.
NOTE: Ensure all components are present. If any components are missing, do not proceed with assembly. Please send an email to service@greatstartools.com or call 877- 876-7562.

SAVE THIS MANUAL FOR FUTURE REFERENCE



Distributed by:
Hangzhou GreatStar Industrial Co., Ltd.
No.35 Jiujuan Road, Jiubao Town,
Hangzhou 310019, China
www.greatstartools.com
MADE IN CHINA

TABLE OF CONTENTS

Safety Information	3
Specifications	4
Package Contents	5
Assembly	6-9
Power Strip Removal	10
Maintenance	10
Care and Cleaning	10

FOR YOUR SAFETY: CAREFULLY READ AND UNDERSTAND ALL INSTRUCTIONS BEFORE USE.

WORKPRO

SAFETY INFORMATION

To reduce the risk of serious injury, read and follow the safety instructions below before assembling and using this product.

1. THIS PRODUCT IS INTENDED FOR INDOOR USE ONLY.

2. THIS PRODUCT IS NOT DESIGNED FOR COMMERCIAL NOR INDUSTRIAL USAGE.

CAUTION!

- Check all nuts and bolts periodically for tightness. When required, tighten them.
- DO NOT leave children unattended near this product.
- Keep the product on level surfaces. The product could become unstable and it may tip over if stored or moved on an uneven surface, which may cause personal injury, death or product damage.
- DO NOT alter this product in any manner. For example, do not weld external bar locks or attach electrical equipment. This may cause product damage or personal injury.
- Any assembly or maintenance of the product must be carried out by adults only.
- Use at least two people to move, assemble or install this workbench. Failure to do so can result in personal injury or product damage.
- DO NOT stand on the product and do not use it as scaffold.

3. EXTENSION CORD:

- Only use a three-wire extension cord with all three prongs intact. Never remove the round grounding prong.
- Extension cord must be connected to a 125Volt GFCI protected outlet with proper ground. If GFCI outlet is not available, use an extension cord with GFCI protection built in.
- Check the insulation and plugs of extension cord before using. Do NOT use cord if it is worn or damaged.
- Do NOT overload extension cord.
- Do NOT connect extension cord to outlet that also supplies critical safety equipment with power.
- Make sure the power supply cord is unplugged before any servicing or cleaning.

4. ELECTRICAL SHOCK HAZARD:

- Do not plug cord into outlet with wet hands.
- Do not use this workbench near a bathtub, a shower, or a swimming pool.
- Workbench plugs must match the outlet.
- Never modify the plug in any way.
- Unmodified plugs and matching outlets will reduce the risk of electric shock.
- Avoid body contact with earthed or grounded surfaces. There is an increased risk of electric shock if your body is earthed or grounded.

5. THIS DEVICE COMPLIES WITH PART 15 OF THE FCC RULES.

Operation is subject to the following two conditions:
1) This device may not cause harmful interference, and
2) This device must accept any interference received, including interference that may cause undesired operation.

"Please note that changes or modifications of this product are not expressly approved by the party responsible for compliance could void the user's authority to operate the equipment."

NOTE:

This equipment has been tested and found to comply with the limits for a Class B digital device, pursuant to Part 15 of the FCC Rules. These limits are designed to provide reasonable protection against harmful interference in a residential installation.

This equipment generates, uses and can radiate radio frequency energy and, if not installed and used in accordance with the instructions, may cause harmful interference to radio communications. However, there is no guarantee that interference will not occur in a particular installation.

If this equipment does cause harmful interference to radio or television reception, which can be determined by turning the equipment off and on, the user is encouraged to try to correct the interference by one or more of the following measures:

- Reorient or relocate the receiving antenna.
- Increase the separation between the equipment and receiver.
- Connect the equipment into an outlet on a circuit different from that to which the receiver is connected.
- Consult the dealer or an experienced radio/TV technician for help.

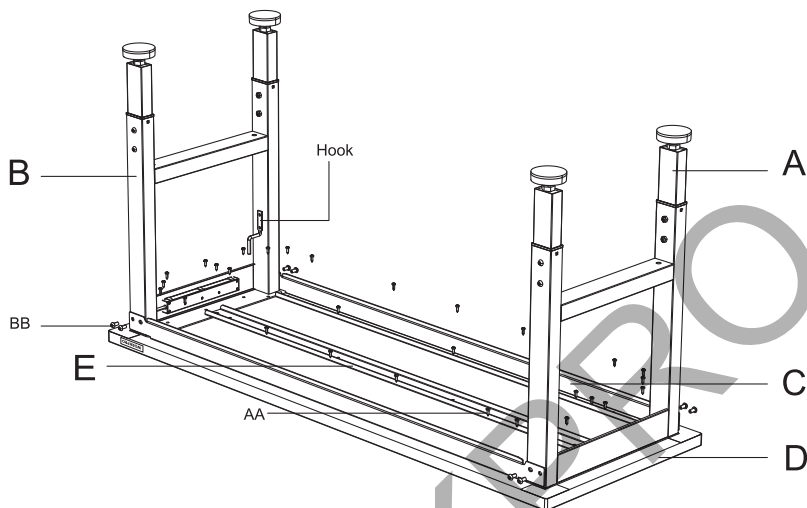
SPECIFICATIONS

Maximum load of workbench	2000 lbs.
Adjust height of workbench	31 ½"-39 ¾"
The length x width of table	60" x 22"
Maximum output of power strip	1875 watts
USB Current	5V DC, 2.1A

WORKPRO

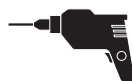
PACKAGE CONTENTS

Ensure all components are present. If any components are missing, do not proceed with assembly. Please send an email to service@greatstartools.com or call 877- 876-7562.



PART	PIC	DESCRIPTION	QTY
A		Leg	1
B		Leg with power strip	1
C		Beam	2
D		Rubber wood top	1
E		Table stiffener	1
AA		#5x15 Phillips head self tapping screw	30
BB		M8x20 Inner hexagonal at head bolt	8

TOOLS REQUIRED (NOT INCLUDED):



Electric Drill



PH2
Screwdriver



13mm
Combination Spanner



19mm
Combination Spanner



5mm
Hex Key

ASSEMBLY

i NOTE:

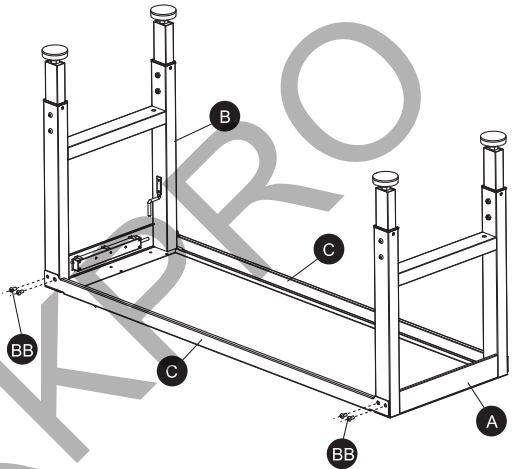
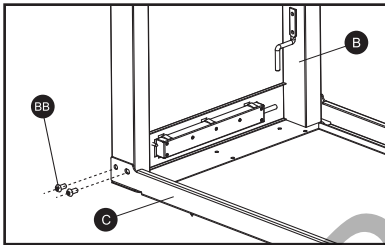
Do not tighten all the screws before the step 4.

i NOTE:

Assemble on a flat surface. A piece of cardboard is recommended to keep the product from being scratched during assembly.

Step 1 Attach the beams

- Attach the leg (A) and leg (B) to beams (C) with 8pcs M8 x 20 inner hexagonal at head bolts (BB).



PART	A	B	C	BB
DESCRIPTION	Leg	Leg with power strip	Beam	M8x20 Inner hexagonal at head bolt
QTY	1	1	2	8

ASSEMBLY

Step 2 Attach the rubber wood top

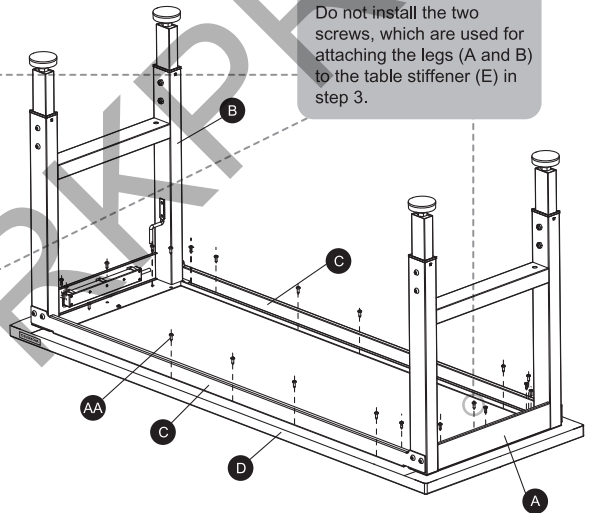
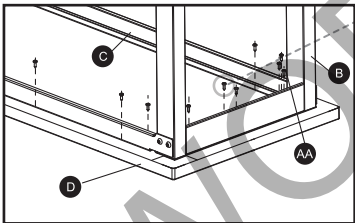
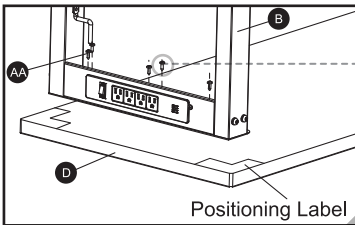
- Place rubber wood top (D) facing down on a flat surface with positioning labels facing upward. Use soft moving blanket or packaging material to protect the top during assembly.
- Align the legs with the corresponding positioning labels and install the legs (A&B) & beams (C) on the rubber wood top (D) using 24 pcs #5x15 Phillips head self tapping screws (AA).

i NOTE:

Since the wood is hard, an electric drill is recommended when assembling.

i NOTE:

We recommend that the leg with power strip is assembled close to side of the brand "WORKPRO". However, you can adjust the assembly position of the leg with power strip as you need.

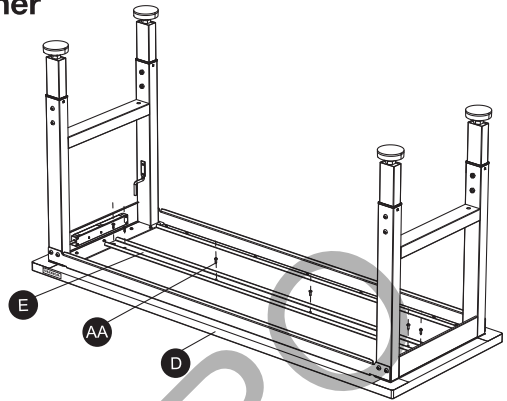
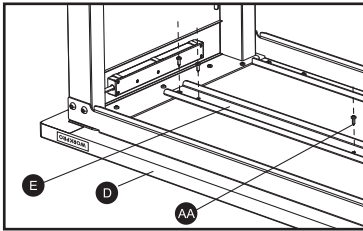


PART	A	B	C	D	AA
DESCRIPTION	Leg	Leg with power strip	Beam	Rubber wood top	#5x15 Phillips head self tapping screw
QTY	1	1	2	1	24

ASSEMBLY

Step 3 Attach the table stiffener

- Attach the table stiffener (E) to rubber wood top (D) with 6 pcs #5x15 Phillips head self tapping screws (AA).



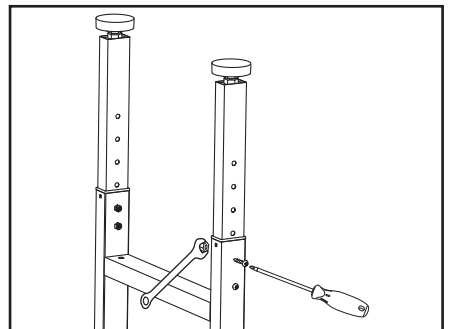
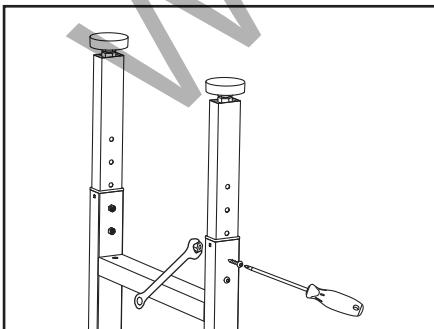
PART	D	E	AA
DESCRIPTION	Rubber wood top	Table stiffener	#5x15 Phillips head self tapping screw
QTY	1	1	6

Step 4 Adjust the height of workbench

- Adjust the position of screws by the PH2 screwdriver and 13mm combination spanner to acquire suitable height.

i NOTE:

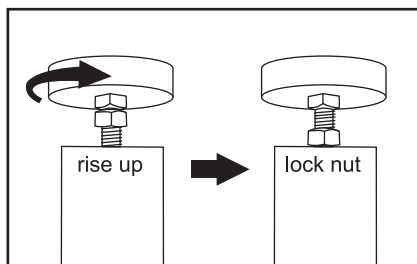
Adjust height of table range is from 31 1/2"-39 3/8".



ASSEMBLY

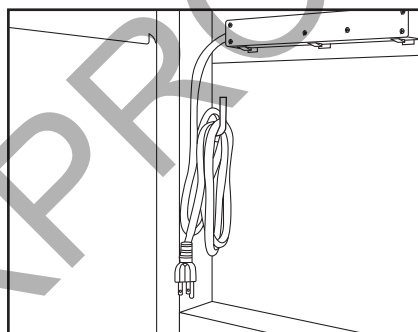
Step 5 Adjust the level of workbench

- Easily leveled with its height-adjustable leg pads. Rotate the pad to the suitable position and lock with the corresponding nuts(M12) by the 19mm combination spanner.



Step 6 Placement of power plug

- The power plug and cord are hung on the hook.

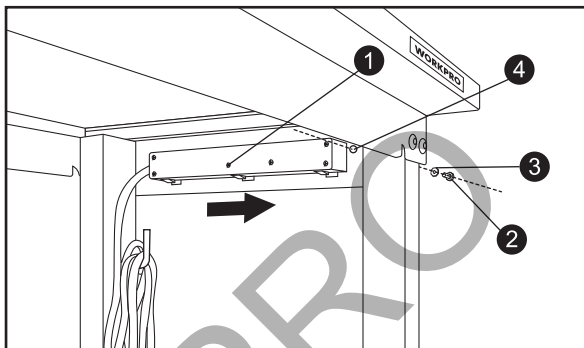


POWER STRIP REMOVAL

i NOTE:

We strongly recommend DO NOT remove the power strip. If you need to remove for any reason, you can do as follows.

- Unscrew 1 pc M4*10 phillips flange bolt ②, 1 pc M4 flat washer ③, and 1 pc M4 hexagon nut ④.
- Push the power strip ① in the right direction and take it out.



PART	①	②	③	④
DESCRIPTION	Power strip	M4x10 Phillips flange bolt	M4 Flat washer	M4 Hexagon nut
QTY	1	1	1	1

MAINTENANCE

- Check all nuts and bolts periodically for tightness. When required tighten them.

CARE AND CLEANING

- Periodically clean the workbench surfaces with a soft rag and water. Grease and oil can be removed with most standard cleaning fluids. For safety, use a nonflammable cleaning fluid.