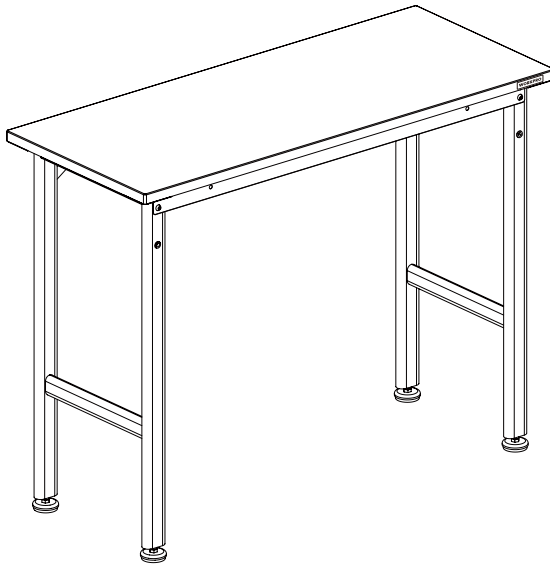


W082132A

WORKPRO

OPERATOR'S MANUAL

48X20" WORKBENCH WITH LEVELING FOOT



USE PRECAUTION
For your safety



**INSTRUCTION
MANUAL**
Read and understand



EYE PROTECTION
Must be worn



PROTECTIVE GLOVES
Must be worn when
assembly



CAUTION: Read and follow all Safety Rules and Operating instructions before first use of this product.
NOTE: Ensure all components are present. If any components are missing, do not proceed with assembly. Please send an email to service@greatstartools.com or call 877- 876-7562.



Distributed by:
Hangzhou GreatStar Industrial Co., Ltd.
No.35 Jiujuan Road, Shangcheng
District, Hangzhou, China
www.greatstartools.com
MADE IN CHINA

TABLE OF CONTENTS

Safety Information -----	2
Specifications -----	2
Package Contents -----	3
Assembly -----	4-8
Cleaning and Maintenance -----	8
Customer Service -----	8

FOR YOUR SAFETY: CAREFULLY READ AND UNDERSTAND ALL INSTRUCTIONS BEFORE USE.

SAFETY INFORMATION

To reduce the risk of serious injury, read and follow the safety instructions below before assembling and using this product.

1. THIS PRODUCT IS INTENDED FOR INDOOR USE ONLY.

2. THIS PRODUCT IS NOT DESIGNED FOR COMMERCIAL NOR INDUSTRIAL USAGE.

CAUTION!

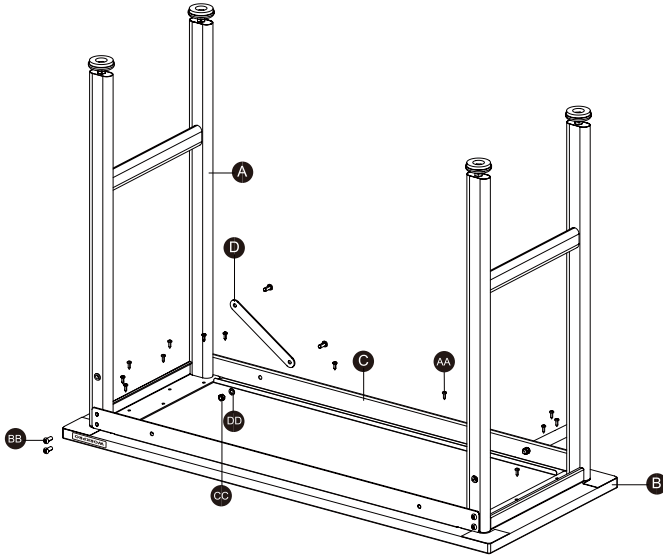
- Check all nuts and bolts periodically for tightness. When required, tighten them.
- DO NOT leave children unattended near this product.
- Keep the product on level surfaces. The product could become unstable and it may tip over if stored or moved on an uneven surface, which may cause personal injury, death or product damage.
- DO NOT alter this product in any manner. For example, do not weld external bar locks or attach electrical equipment. This may cause product damage or personal injury.
- Any assembly or maintenance of the product must be carried out by adults only.
- Use at least two people to move, assemble or install this workbench. Failure to do so can result in personal injury or product damage.
- DO NOT stand on the product and do not use it as scaffold.

SPECIFICATIONS

Maximum load of workbench	1200 lbs.
The length x width of table	48" x 20"

PACKAGE CONTENTS

Ensure all components are present. If any components are missing, do not proceed with assembly. Please send an email to service@greatstartools.com or call 877- 876-7562.



PART	PIC	DESCRIPTION	QTY
A		Leg	2
B		Rubber wood top	1
C		Beam	2
D		Support rod	2
AA		#5x20 Phillips head self tapping screw	18+2
BB		M8x16 Inner hexagonal at head bolt	12+2
CC		M8 Nut	2+1
DD		M8 Washer	2+1

TOOLS REQUIRED (NOT INCLUDED) :



Electric Drill



PH2
Screwdriver



13mm
Combination Spanner



17mm
Combination Spanner



3/16" (5mm)
Hex Key

ASSEMBLY

i NOTE:

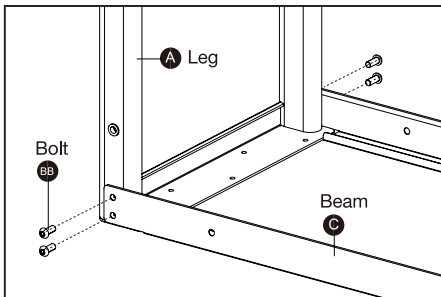
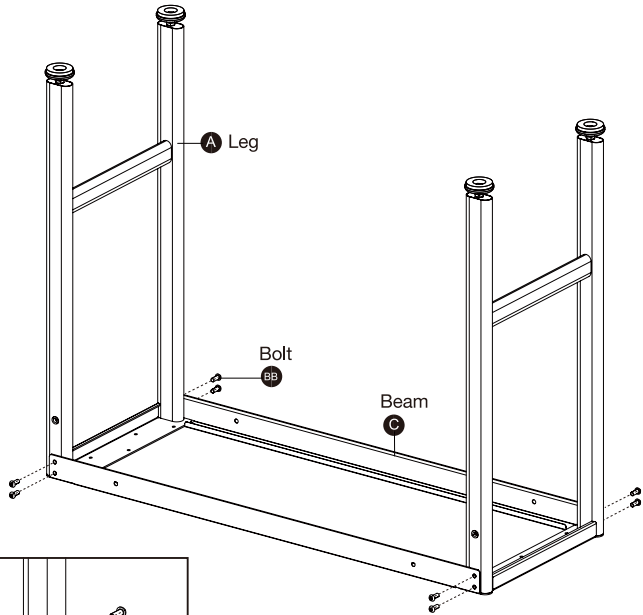
Assemble on a flat surface. A piece of cardboard is recommended to keep the product from being scratched during assembly.

STEP 1: ATTACH THE LEGS AND BEAMS

- Attach the legs (A) to beams (C) with 8pcs bolts (BB) and tighten to desired tightness with a 3/16"(5mm) hex key.

i NOTE:

Do not tighten all the bolts completely.



PART	A	C	BB
DESCRIPTION	Leg	Beam	Bolt
QTY	2	2	8

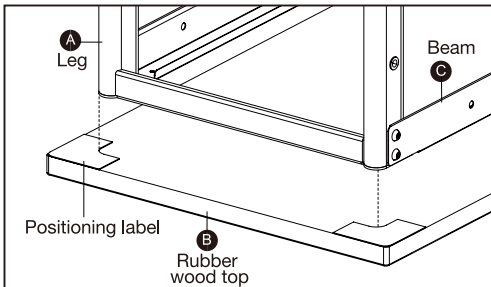
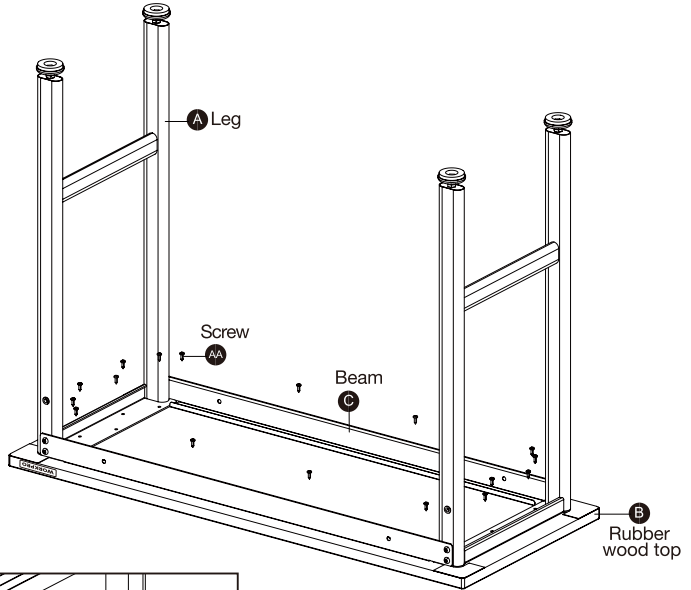
ASSEMBLY

STEP 2: ATTACH THE RUBBER WOOD TOP

- Place rubber wood top (B) facing down on a flat surface with positioning labels facing upward. Use soft moving blanket or packaging material to protect the top during assembly.
- Align the legs with the corresponding positioning labels, install the legs (A) & beams (C) on the rubber wood top (B) using 18pcs screws (AA) by an electric drill.

i NOTE:

Since the wood is hard, an electric drill is recommended when assembling.



PART	B	AA
DESCRIPTION	Rubber wood top	Screw
QTY	1	18

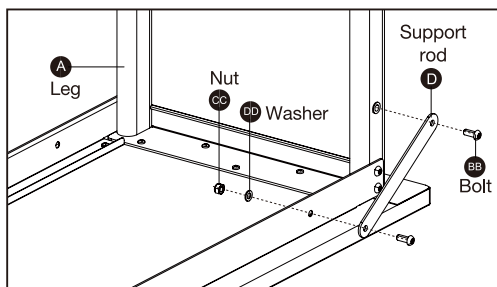
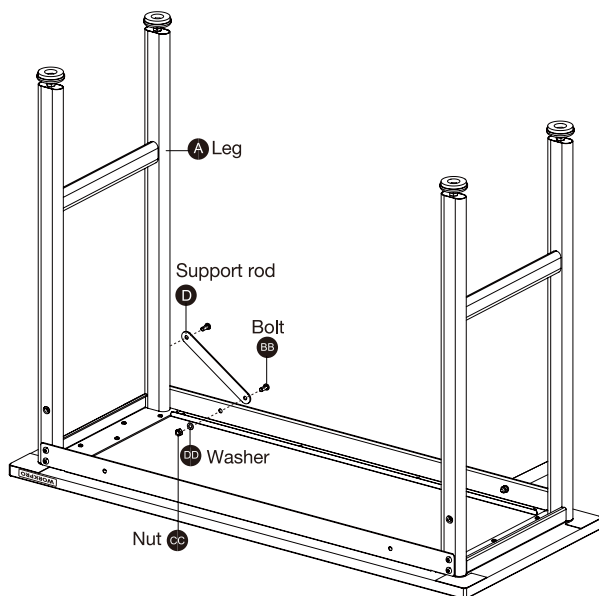
ASSEMBLY

STEP 3: ATTACH THE SUPPORT ROD

NOTE:

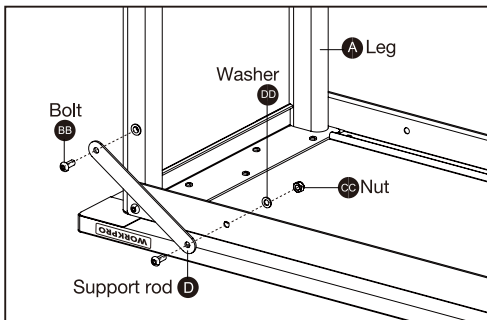
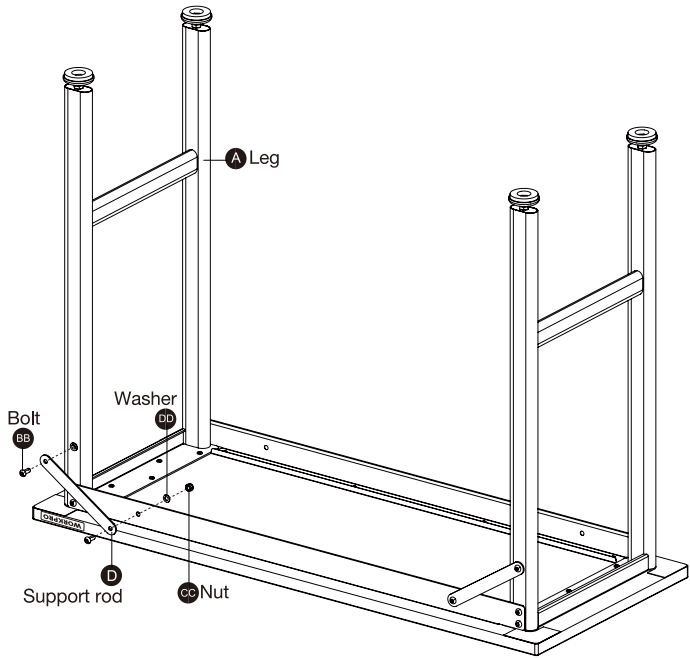
- The support rod (D) can be attached **at the rear or in front of legs (A)**. Attach it at your desired position as you need.
 - Tighten all the bolts completely.
-
- Attach the support rod (D) to the leg (A), then insert the bolts (BB) through the hole of leg (A) and tighten to desired tightness by a 3/16"(5mm) hex key.
 - Attach the support rod (D) to the beam (C), then slide the bolt (BB) through the hole of beam (C), washer (DD) is then applied on the other end of hole followed by the nut (CC). Tighten the nut (CC) to desired tightness by a 3/16"(5mm) hex key and a 13mm combination spanner.
 - Attach the other support rod (D) as above steps.

OPTION 1: ATTACH THE SUPPORT ROD (D) AT THE REAR OF LEGS (A).



ASSEMBLY

OPTION 2: ATTACH THE SUPPORT ROD (D) IN FRONT OF LEGS (A).

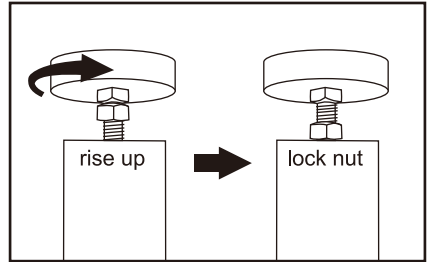


PART	D	BB	CC	DD
DESCRIPTION	Support rod	Bolt	Nut	Washer
QTY	2	4	2	2

ASSEMBLY

STEP 4: ADJUST THE LEVEL OF WORKBENCH

Easily leveled with its height-adjustable leg pads. Rotate the pad to the suitable position and lock with the corresponding nuts(M10) by the 17mm combination spanner.



CLEANING AND MAINTENANCE

- Check all nuts and bolts periodically for tightness. When required tighten them.
- Periodically clean the workbench surfaces with a soft rag and water. Grease and oil can be removed with most standard cleaning fluids. For safety, use a nonflammable cleaning fluid.

CUSTOMER SERVICE

If you are having difficulty in using this product and require support, please send an email to service@greatstartools.com or call 877-876-7562.