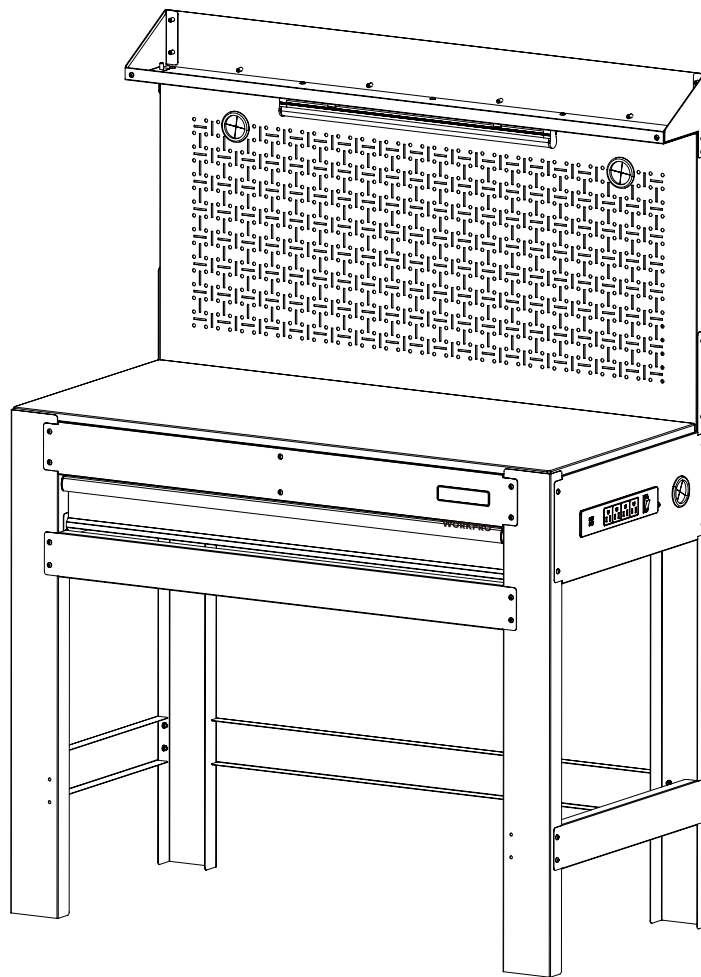


# WORKPRO

## OPERATOR'S MANUAL

### 45IN. MULTIPURPOSE WORKBENCH WITH LED LIGHT & POWER STRIP



USE PRECAUTION  
For your safety



INSTRUCTION  
MANUAL  
Read and understand



EYE PROTECTION  
Must be worn



PROTECTIVE GLOVES  
Must be worn when  
assembly



**CAUTION:** Read and follow all Safety Rules and Operating instructions before first use of this product.

**NOTE:** Ensure all components are present. If any components are missing, do not proceed with assembly. Please send an email to [service@greatstartools.com](mailto:service@greatstartools.com) or call 877- 876-7562.

**SAVE THIS MANUAL FOR FUTURE REFERENCE**



Distributed by:  
Hangzhou GreatStar Industrial Co., Ltd.  
No.35 Jiuhan Road, Jiubao Town,  
Hangzhou 310019, China  
[www.greatstartools.com](http://www.greatstartools.com)  
MADE IN CHINA

# TABLE OF CONTEENTS

Safety Information -----	3
Specifications -----	4
Package Contents -----	5
Assembly -----	6-22
Removing the drawer-----	23
Care And Maintenance -----	23
Customer Service -----	23

**FOR YOUR SAFETY: CAREFULLY READ AND UNDERSTAND ALL INSTRUCTIONS BEFORE USE.**

# SAFETY INFORMATION

To reduce the risk of serious injury, read and follow the safety instructions below before assembling and using this product.

## 1. THIS PRODUCT IS INTENDED FOR INDOOR USE ONLY.

## 2. THIS PRODUCT IS NOT DESIGNED FOR COMMERCIAL NOR INDUSTRIAL USAGE.

### CAUTION!

- Check all nuts and bolts periodically for tightness. When required, tighten them.
- DO NOT leave children unattended near this product.
- Keep the product on level surfaces. The product could become unstable and it may tip over if stored or moved on an uneven surface, which may cause personal injury, death or product damage.
- DO NOT alter this product in any manner. For example, do not weld external bar locks or attach electrical equipment. This may cause product damage or personal injury.
- Any assembly or maintenance of the product must be carried out by adults only.
- Use at least two people to move, assemble or install this workbench. Failure to do so can result in personal injury or product damage.
- DO NOT stand on the product and do not use it as scaffold.
- DO NOT step in the drawer. You may fall which may cause personal injury or product damage.

## 3. EXTENSION CORD:

- Only use a three-wire extension cord with all three prongs intact. Never remove the round grounding prong.
- Extension cord must be connected to a 125Volt GFCI protected outlet with proper ground. If GFCI outlet is not available, use an extension cord with GFCI protection built in.
- Check the insulation and plugs of extension cord before using. Do NOT use cord if it is worn or damaged.
- Do NOT overload extension cord.
- Do NOT connect extension cord to outlet that also supplies critical safety equipment with power.

- Make sure the power supply cord is unplugged before any servicing or cleaning.

## 4. ELECTRICAL SHOCK HAZARD:

- Do not plug cord into outlet with wet hands.
- Do not use this workbench near a bathtub, a shower, or a swimming pool.
- Workbench plugs must match the outlet.
- Never modify the plug in any way.
- Unmodified plugs and matching outlets will reduce the risk of electric shock.
- Avoid body contact with earthed or grounded surfaces. There is an increased risk of electric shock if your body is earthed or grounded.

## 5. THIS DEVICE COMPLIES WITH PART 15 OF THE FCC RULES.

Operation is subject to the following two conditions:  
1) This device may not cause harmful interference, and  
2) This device must accept any interference received, including interference that may cause undesired operation.

“Please note that changes or modifications of this product are not expressly approved by the party responsible for compliance could void the user’s authority to operate the equipment.”

### NOTE:

This equipment has been tested and found to comply with the limits for a Class B digital device, pursuant to Part 15 of the FCC Rules. These limits are designed to provide reasonable protection against harmful interference in a residential installation.

This equipment generates, uses and can radiate radio frequency energy and, if not installed and used in accordance with the instructions, may cause harmful interference to radio communications. However, there is no guarantee that interference will not occur in a particular installation.

If this equipment does cause harmful interference to radio or television reception, which can be determined by turning the equipment off and on, the user is encouraged to try to correct the interference by one or more of the following measures:

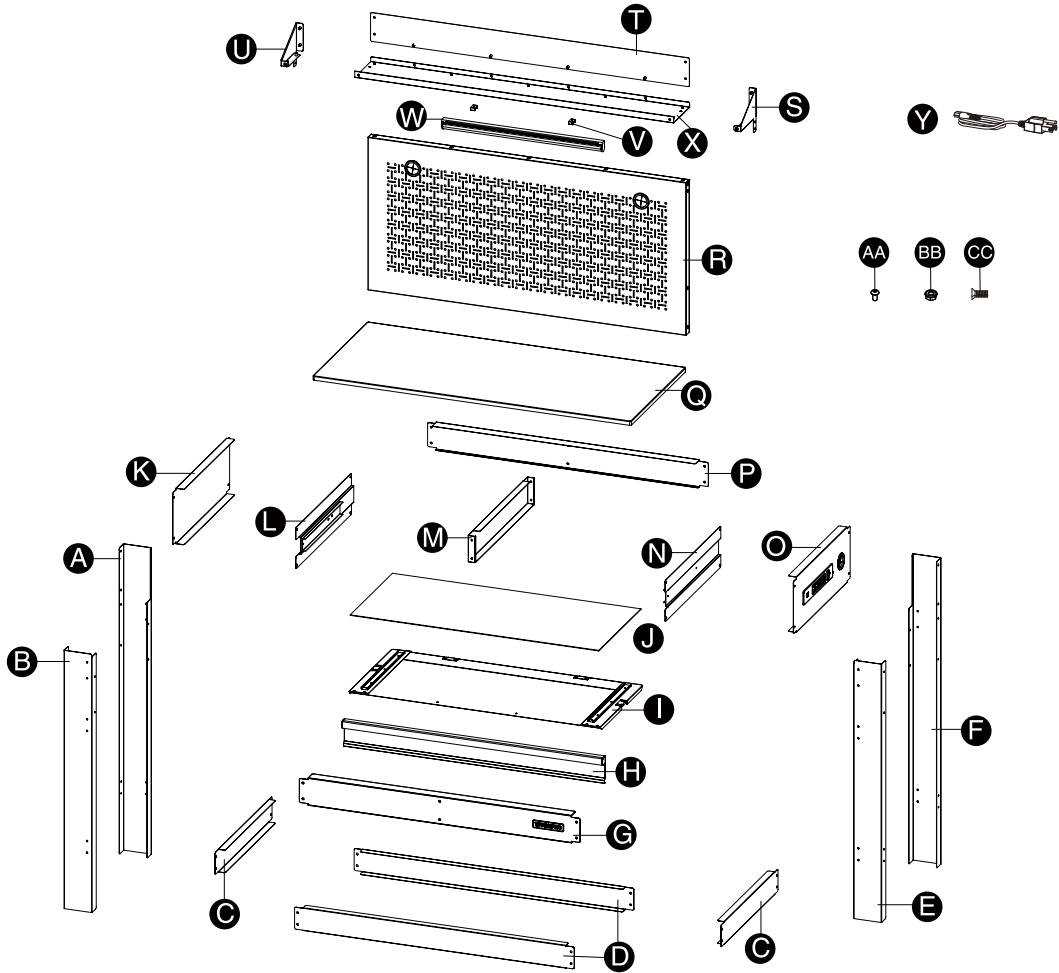
- Reorient or relocate the receiving antenna.
- Increase the separation between the equipment and receiver.
- Connect the equipment into an outlet on a circuit different from that to which the receiver is connected.
- Consult the dealer or an experienced radio/TV technician for help.



# SPECIFICATIONS

Maximum product weight (evenly distributed), including contents	800 lbs
Maximum product weight for table top (evenly distributed)	600 lbs
Maximum product weight for pegboard (evenly distributed)	100 lbs
Maximum product weight for top shelf (evenly distributed)	50 lbs
Maximum product weight for drawer (evenly distributed)	50 lbs

# PACKAGE CONTENTS

Ensure all components are present. If any components are missing, do not proceed with assembly. Please send an email to [service@greatstartools.com](mailto:service@greatstartools.com) or call 877- 876-7562.



PART	DESCRIPTION	QTY	PART	DESCRIPTION	QTY	TOOLS REQUIRED (INCLUDED):
A	Left rear Leg	1	O	Right side panel with power strip	1	
B	Left front Leg	1	P	Rear top beam	1	
C	Brace	2	Q	MDF table top	1	
D	Bottom Beam	2	R	Pegboard	1	
E	Right front leg	1	S	Top shelf right side panel	1	TOOLS REQUIRED (NOT INCLUDED):
F	Right rear leg	1	T	Top shelf back panel	1	
G	Front top beam	1	U	Top shelf left side panel	1	 Protective Gloves
H	Drawer front panel	1	V	Light support bracket	2	
I	Drawer body	1	W	Light	1	 PH2 Screwdriver
J	Drawer mat	1	X	Top shelf bottom panel	1	
K	Left side panel	1	Y	Light power cord	1	
L	Left drawer slide panel	1	AA	M5 x 10mm Bolt	81+ 2(Spare)	
M	Support rod	1	BB	M5 Nut	46+ 2(Spare)	
N	Right drawer slide panel	1	CC	M4 Bolt	2	

# ASSEMBLY

## **i** NOTE:

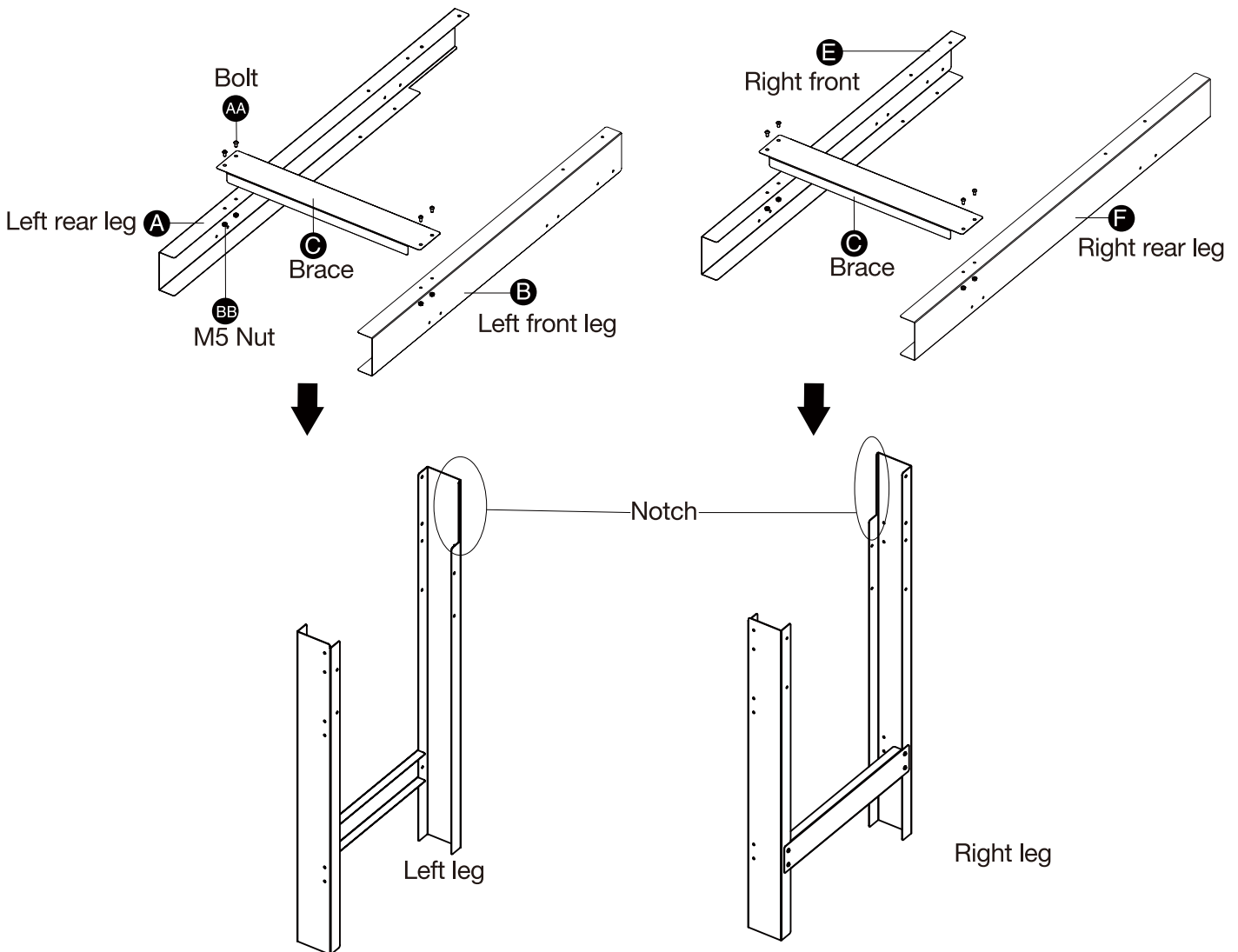
- Do not tighten all the bolts and nuts before the step 7. After the workbench is completely assembled, fully tighten each bolt.
- Two people are recommended for assembly.
- Assemble on a flat surface. A piece of cardboard is recommended to keep the product from being scratched during assembly.

### STEP 1: INSTALL THE LEGS AND BRACES

- Assemble on a flat, level, hard and smooth surface capable of safely supporting a workbench.
- Attach the brace (C) to the left rear leg (A) and left front leg (B) and finger tighten to desired tightness using four M5 bolts (AA) and M5 nuts (BB). Do not tighten the bolt and nuts completely.
- Repeat above step to install the right legs (E&F) and brace (C).

## **i** NOTE:

- Make sure the rear legs (A&F) with notch facing inward.
- Place the legs on the side for easy installation.



PART	A	B	C	E	F	AA	BB
DESCRIPTION	Left rear leg	Left front leg	Brace	Right front leg	Right rear leg	M5 Bolt	M5 Nut
QTY	1	1	2	1	1	8	8

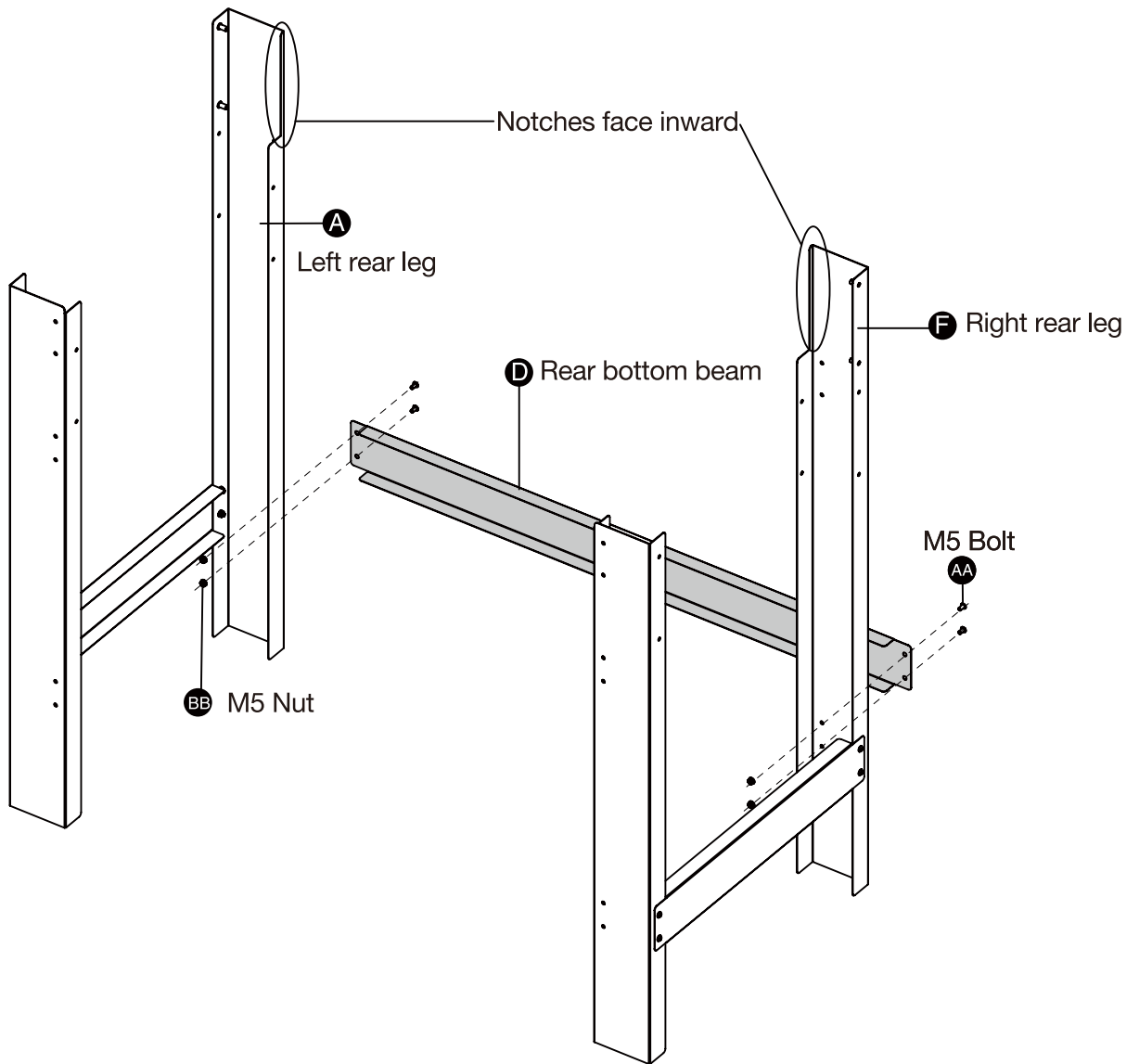
# ASSEMBLY

## STEP 2: INSTALL THE REAR BOTTOM BEAM

Standing and attach the rear bottom beam (D) to the left rear leg (A) and right rear leg (F) and finger tighten to desired tightness using four M5 bolts (AA) and M5 nuts (BB). Do not tighten the bolt and nuts completely.

**i NOTE:**

Make sure the rear legs (A&F) with notch facing inward.



PART	D	AA	BB
DESCRIPTION	Rear bottom beam	M5 Bolt	M5 Nut
QTY	1	4	4

# ASSEMBLY

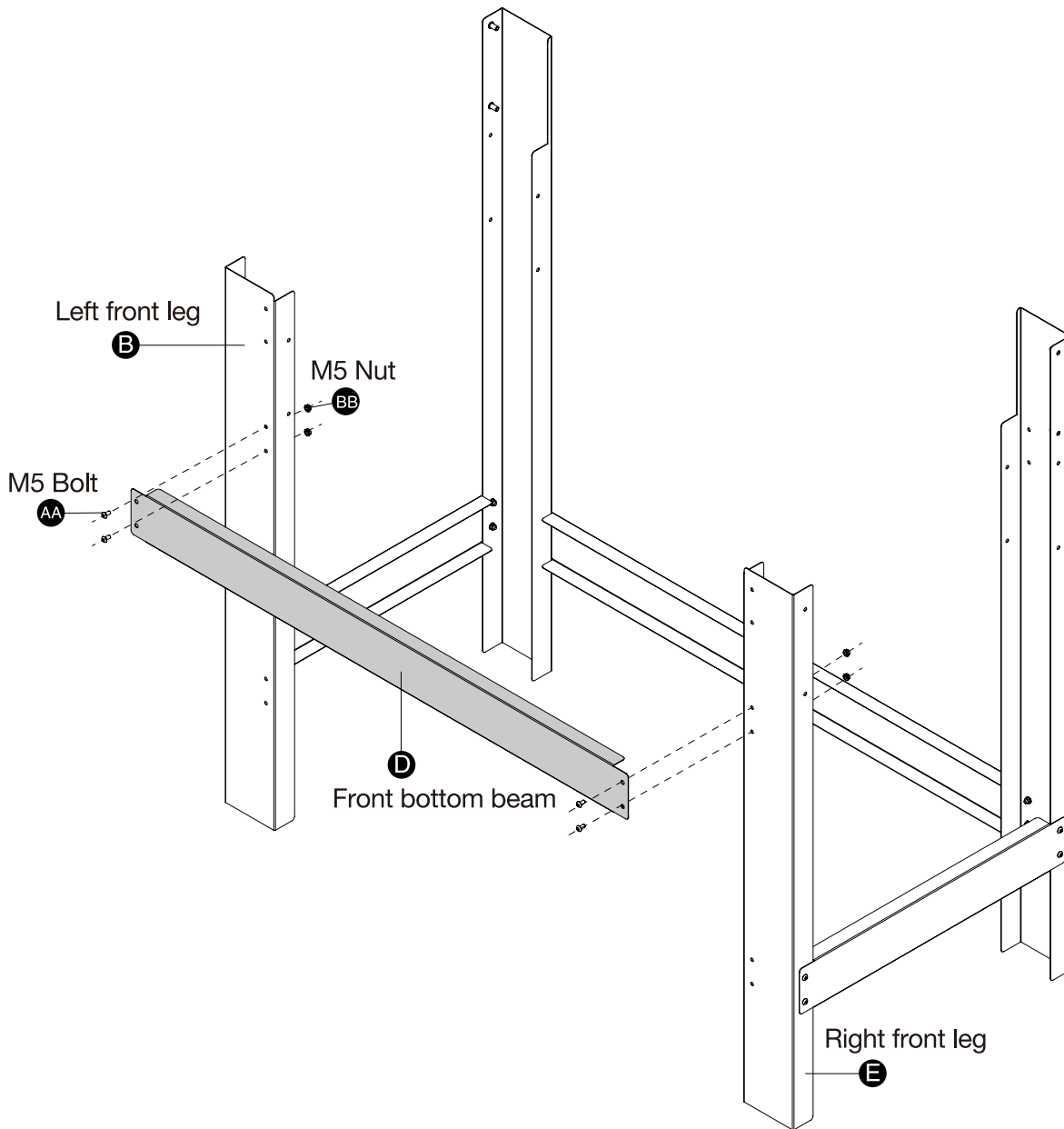
## STEP 3: INSTALL THE FRONT BOTTOM BEAM

**i** NOTE:

The rear bottom beam (D) can be attached **on the top or at the bottom of front legs (B&E)**. Attach it at your desired position as you need. Do not tighten all the bolt and nuts completely.

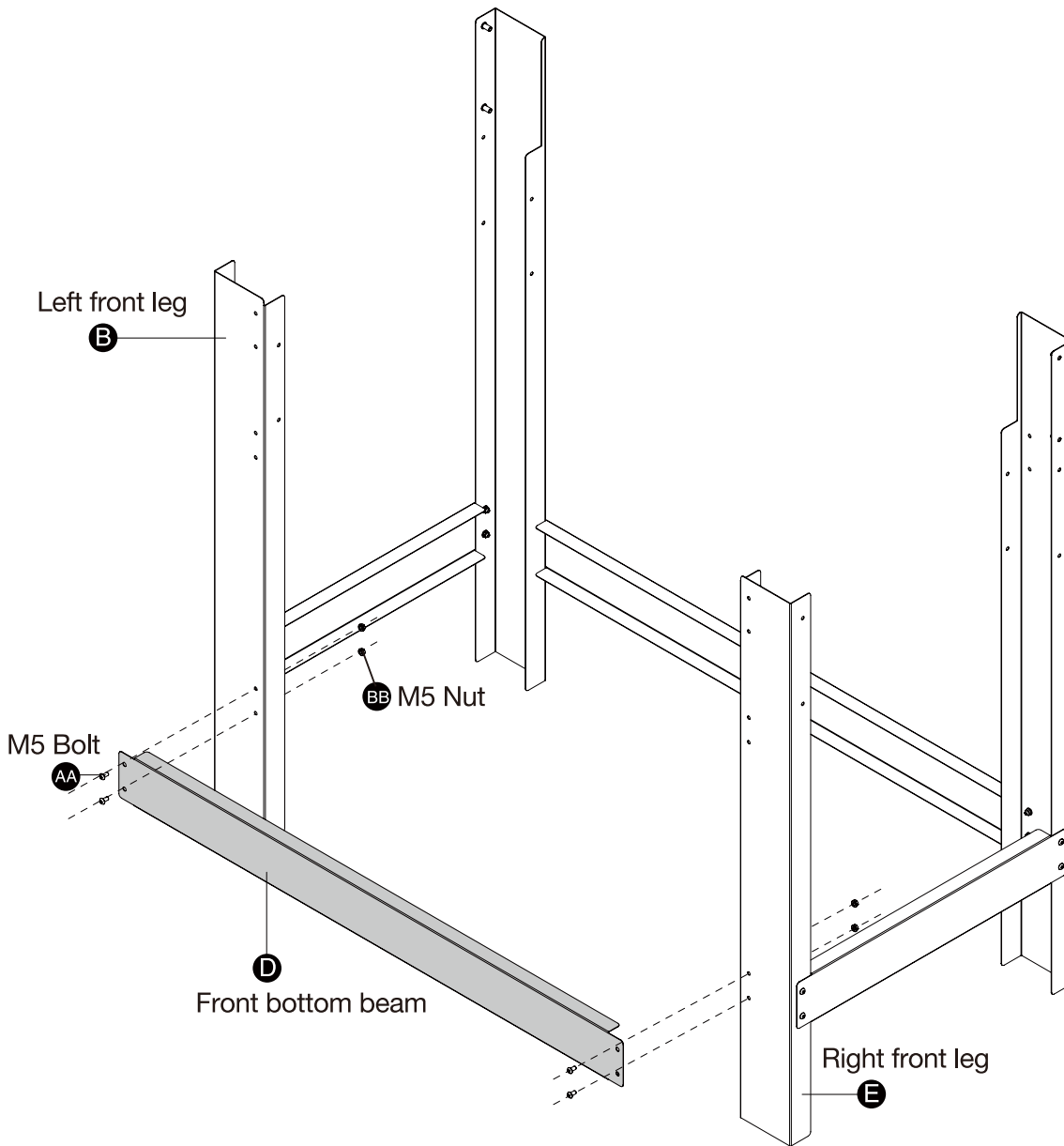
Attach the front bottom beam (D) to the left front leg (B) and right front leg (E) and finger tighten to desired tightness using four M5 bolts (AA) and M5 nuts (BB). Do not tighten the bolt and nuts completely.

Option 1: Attach the Front Bottom Beam (D) on the Top of Front Legs



# ASSEMBLY

Option 2: Attach the Front Bottom Beam (D) at the Bottom of Front Legs (B&E).

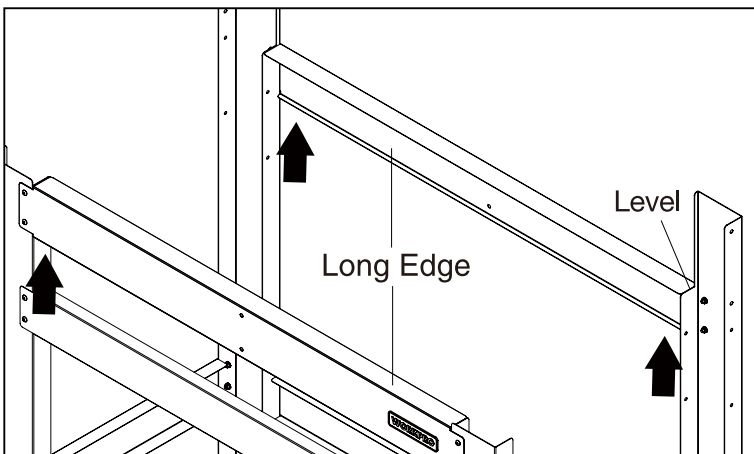
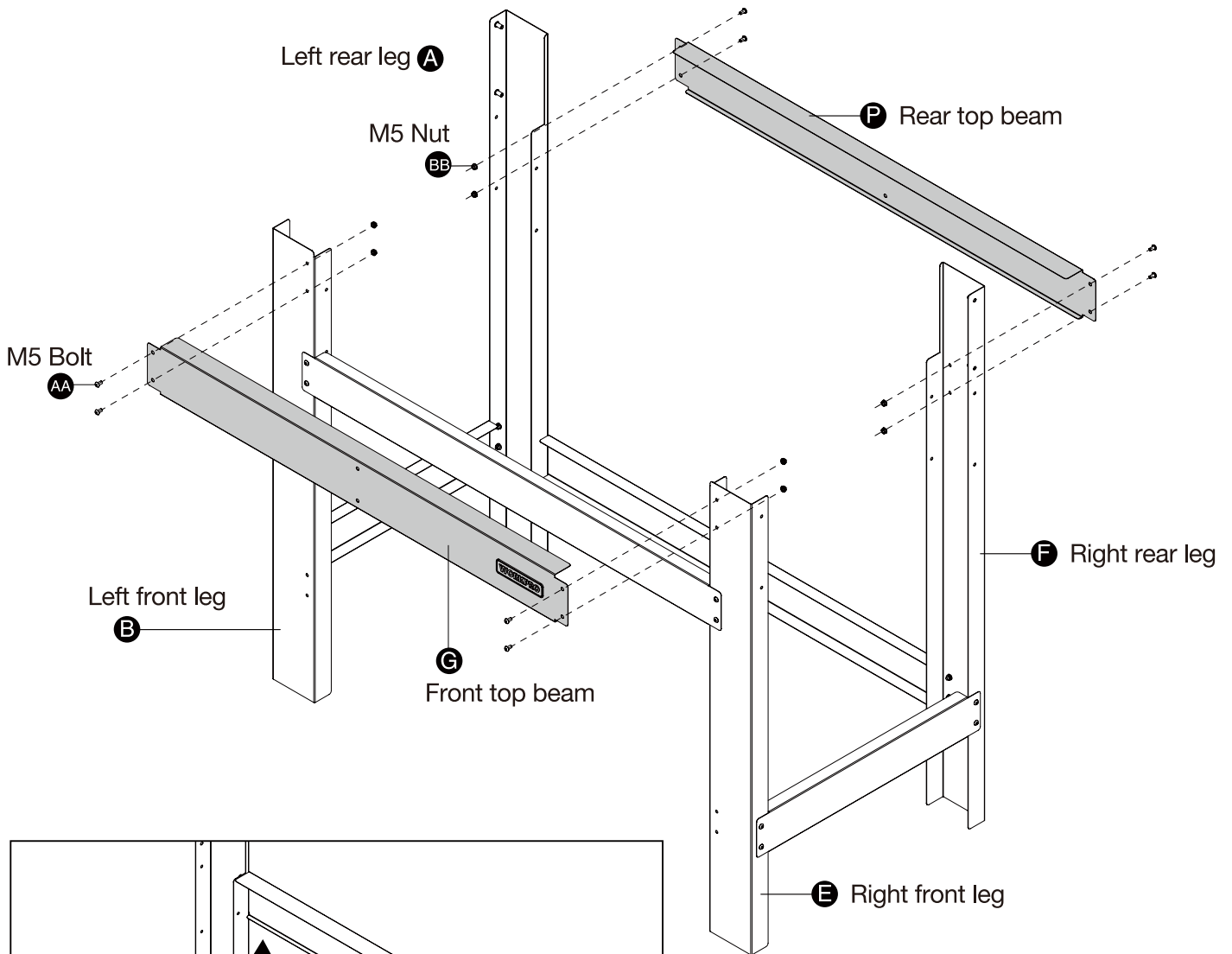


PART	D	AA	BB
DESCRIPTION	Front bottom beam	M5 Bolt	M5 Nut
QTY	1	4	4

# ASSEMBLY

## STEP 4: INSTALL THE FRONT TOP BEAM AND REAR TOP BEAM

- Attach the front top beam (G) to the left front leg (B) and right front Leg (E) and finger tighten to desired tightness using four M5 bolts (AA) and M5 nuts (BB). Make sure the front top beam (G) with long edge facing up. Do not tighten the bolt and nuts completely.
- Connect the rear top beam (P) to the left rear leg (A) and right rear leg (F) and finger tighten to desired tightness using four M5 bolts (AA) and M5 nuts (BB). Make sure the rear top beam (P) with long edge facing up. Do not tighten the bolt and nuts completely.



### **i** NOTE:

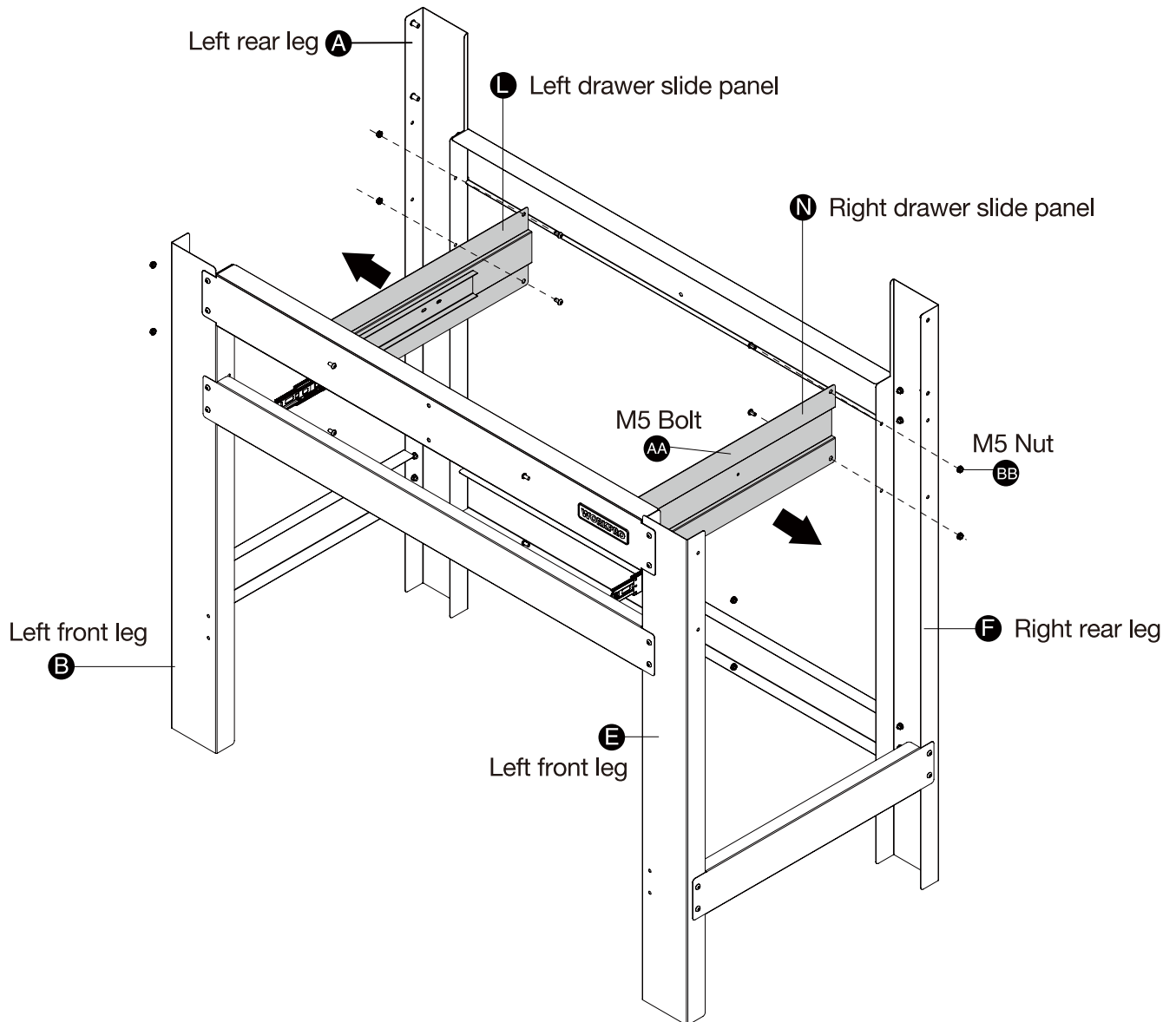
- Make sure the top beam(G&P) with long edge facing up.
- Lift and hold the top beam(G&P), ensuring the long edge of top beam(G&P) and the edge of notch are level.

PART	G	P	AA	BB
DESCRIPTION	Front top beam	Rear top beam	M5 Bolt	M5 Nut
QTY	1	1	8	8

# ASSEMBLY

## STEP 5: INSTALL THE DRAWER SLIDE PANEL

- Place the left drawer slide panel (L) between the top beam (G&P). Make sure the outer drawer slide on the left drawer slide panel (L) is pulled out facing forward.
- Align the left drawer slide panel (L) with the pre-drilled holes on the left legs (A&B), ensuring the slides are toward the front of the unit. Attach and finger tighten to desired tightness using four M5 bolts (AA) and M5 nuts (BB). Do not tighten the bolt and nuts completely.
- Repeat with the right drawer slide panel (N).

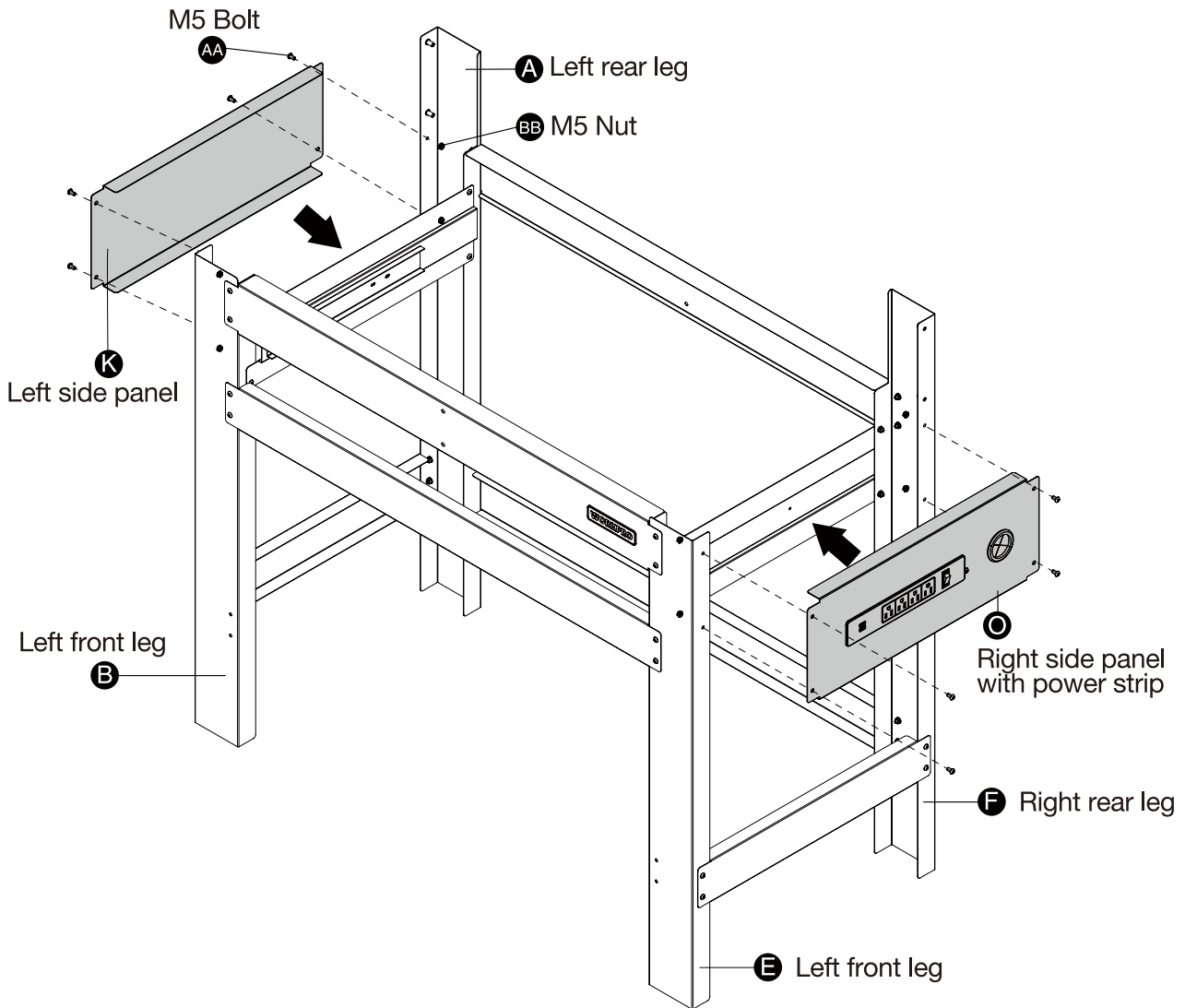


PART	L	N	AA	BB
DESCRIPTION	Left drawer slide panel	Right drawer slide panel	M5 Bolt	M5 Nut
QTY	1	1	8	8

# ASSEMBLY

## STEP 6: INSTALL THE LEFT AND RIGHT SLIDE PANEL

- Align the left side panel (K) with the pre-drilled holes on the left legs (A&B), attach and finger tighten to desired tightness using four M5 bolts (AA) and M5 nuts (BB). Do not tighten the bolt and nuts completely.
- Repeat with the right side panel with power strip (O).



PART	K	O	AA	BB
DESCRIPTION	Left side panel	Right side panel with power strip	M5 Bolt	M5 Nut
QTY	1	1	8	8

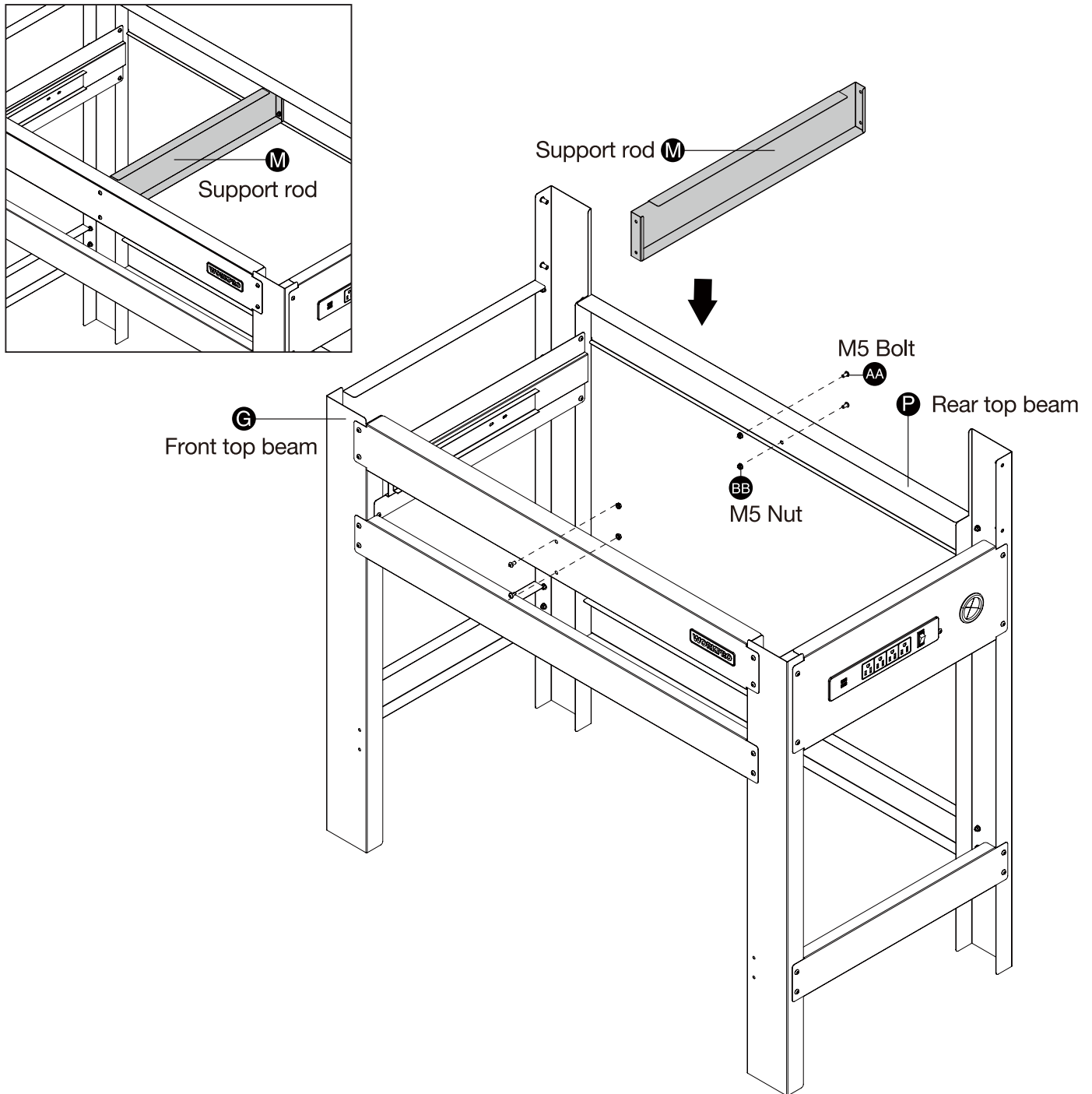
# ASSEMBLY

## STEP 7: INSTALL THE SUPPORT ROD

- Slide the bolts (AA) through the front top beam (G) and into the support rod (M), nuts are then applied on the other end of hole. Attach and finger tighten to desired tightness using two M5 bolts (AA) and M5 nuts (BB).
- Repeat above step as shown in the figure. Secure the support rod (M) to the rear top beam (P) using two M5 bolts (AA) and M5 nuts (BB).

**i NOTE:**

Tighten all the bolts and nuts completely using a 5mm hex key.

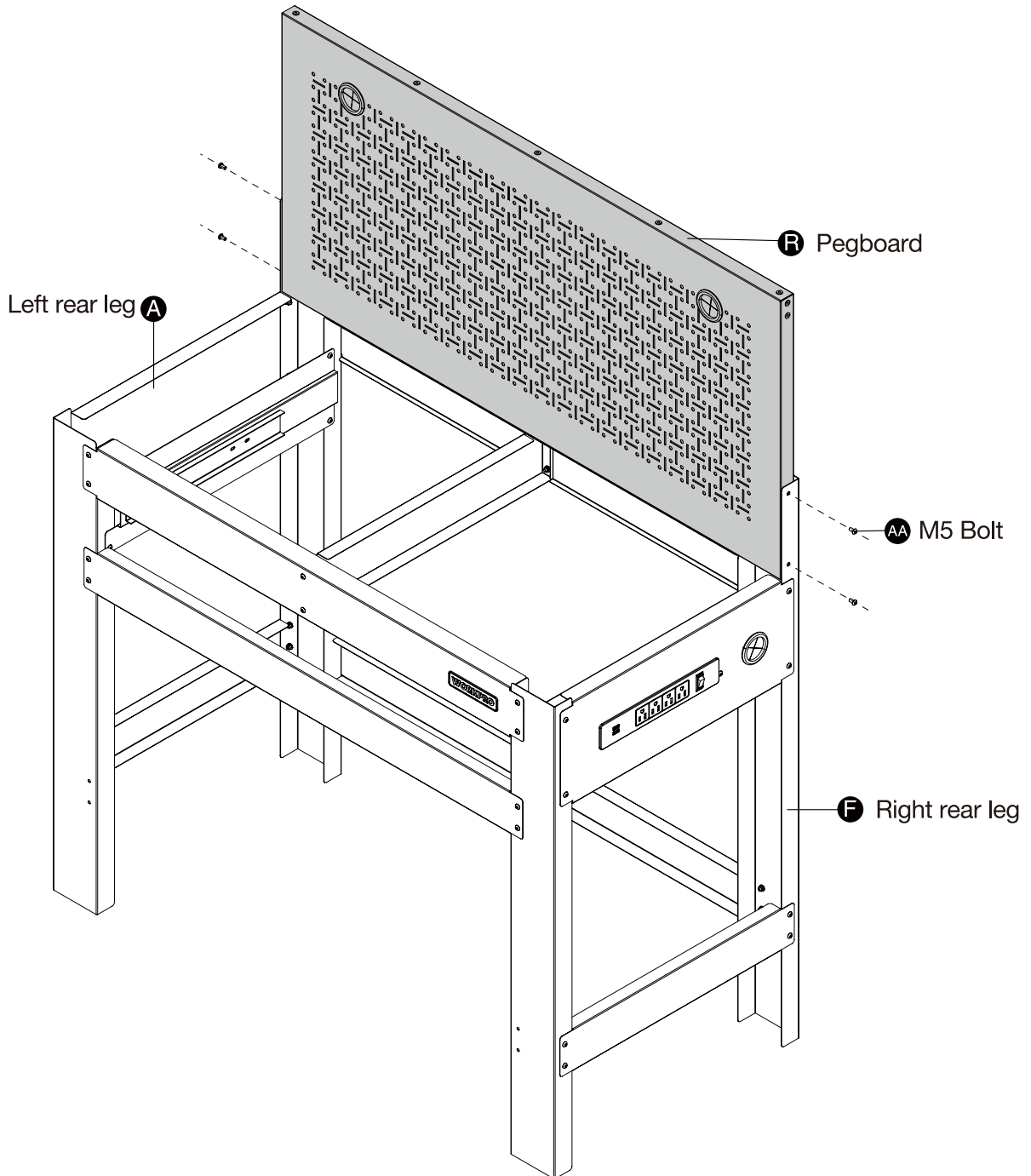


PART	M	AA	BB
DESCRIPTION	Support rod	M5 Bolt	M5 Nut
QTY	1	4	4

# ASSEMBLY

## STEP 8: INSTALL THE PEGBOARD

Attach the pegboard (R) to the left rear leg (A) and the right rear leg (F) using bolts (AA), and tighten to desired tightness using four M5 bolts (AA) by a 5mm hex key.



PART	R	AA
DESCRIPTION	Pegboard	M5 Bolt
QTY	1	4

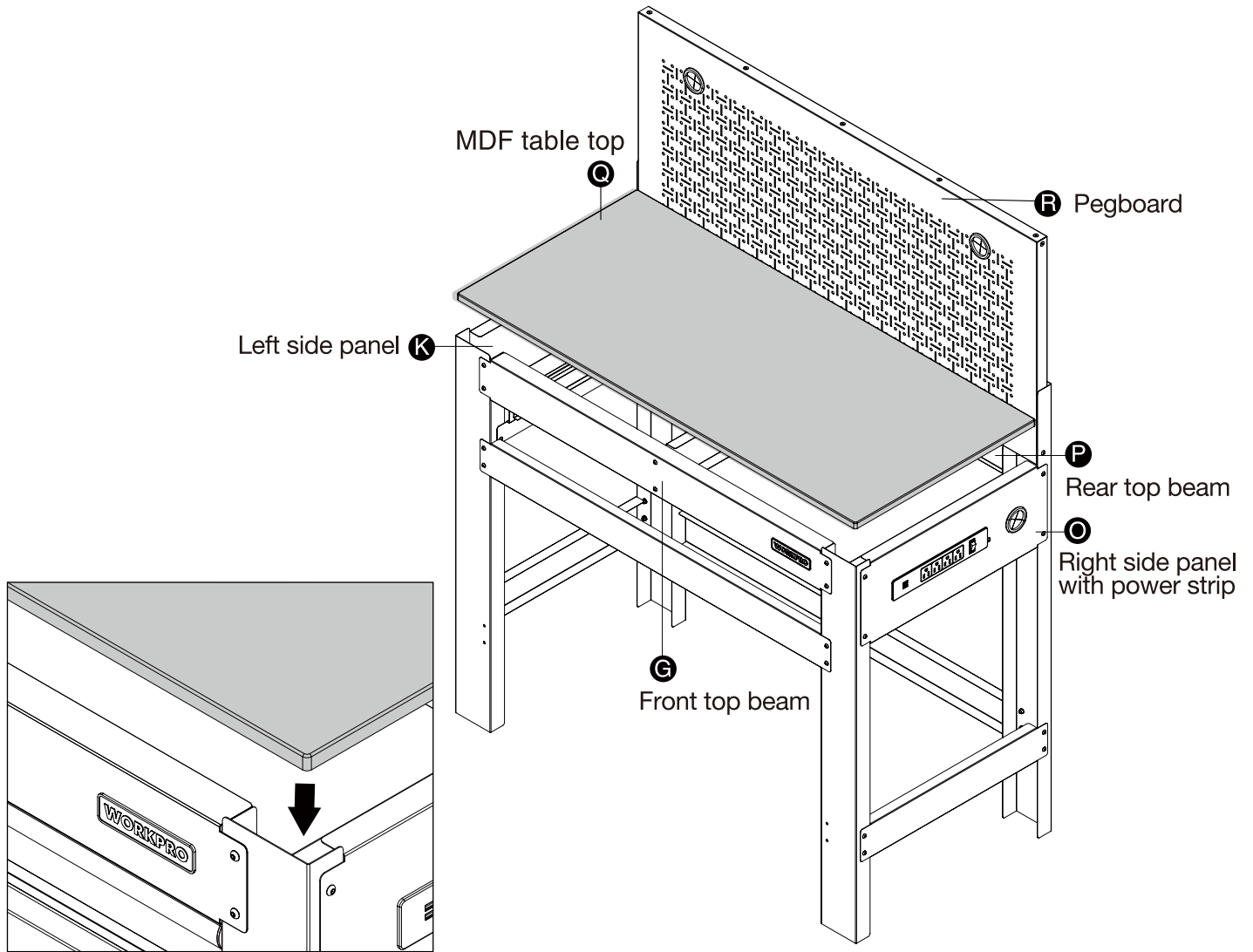
# ASSEMBLY

## STEP 9: INSTALL THE MDF TABLE TOP

Place the MDF table top (Q) on the workbench.

**i NOTE:**

If the table top is not level, loosen the bolts on the top beams (G&P), side panel (K&O) and pegboard (R) again, lift and hold the top beam(G&P) and side panel (K&O), ensuring the frame is level, then tighten all the bolts (AA).



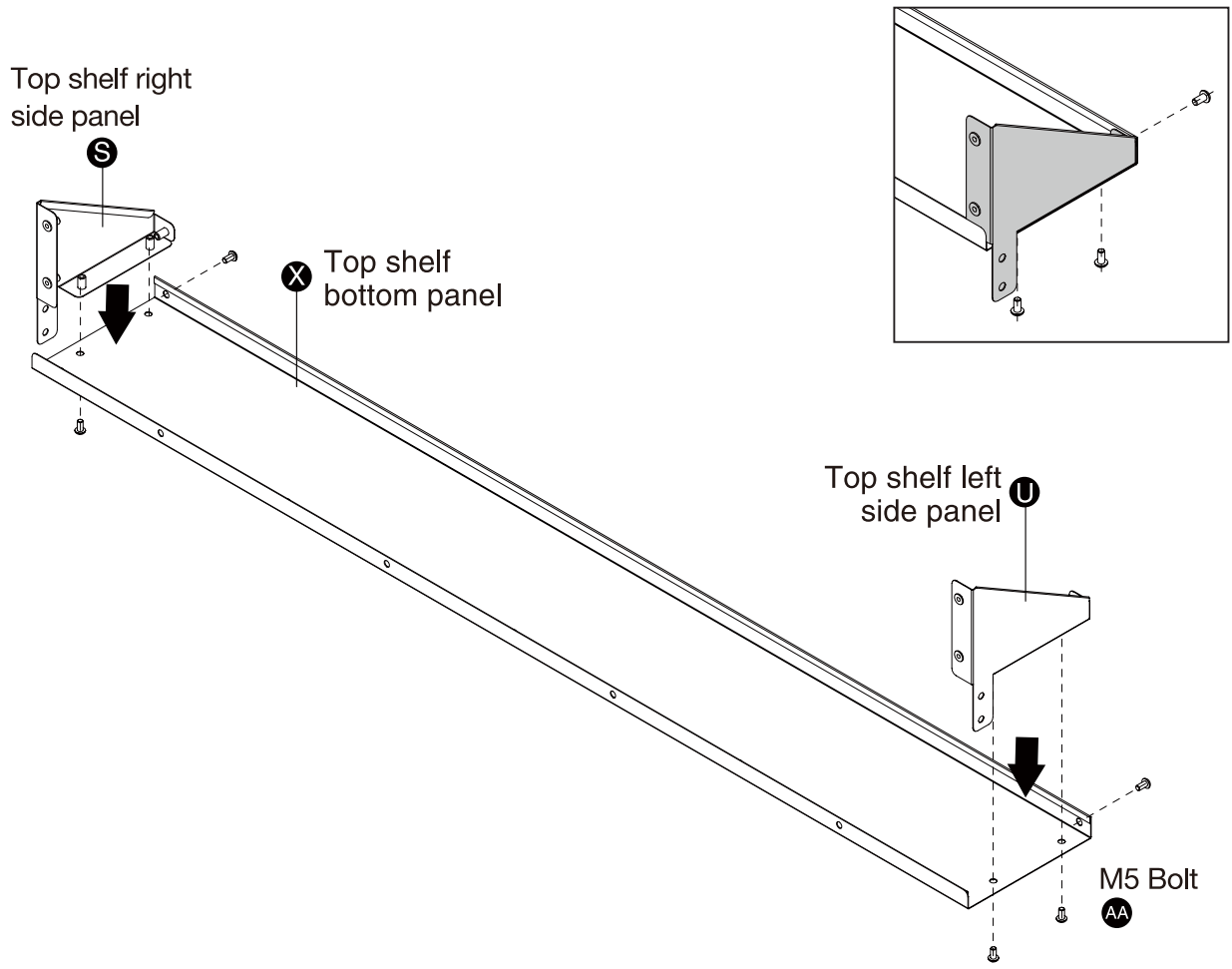
PART	Q
DESCRIPTION	MDF table top
QTY	1

# ASSEMBLY

## STEP 10: INSTALL THE TOP SHELF

### Step 10.1: Assembly the Top Shelf Side Panel and Bottom Panel

Attach the top shelf side panel (U&S) on the corresponding position of the top shelf bottom panel (X) as shown, and tighten to desired tightness using six M5 bolts.

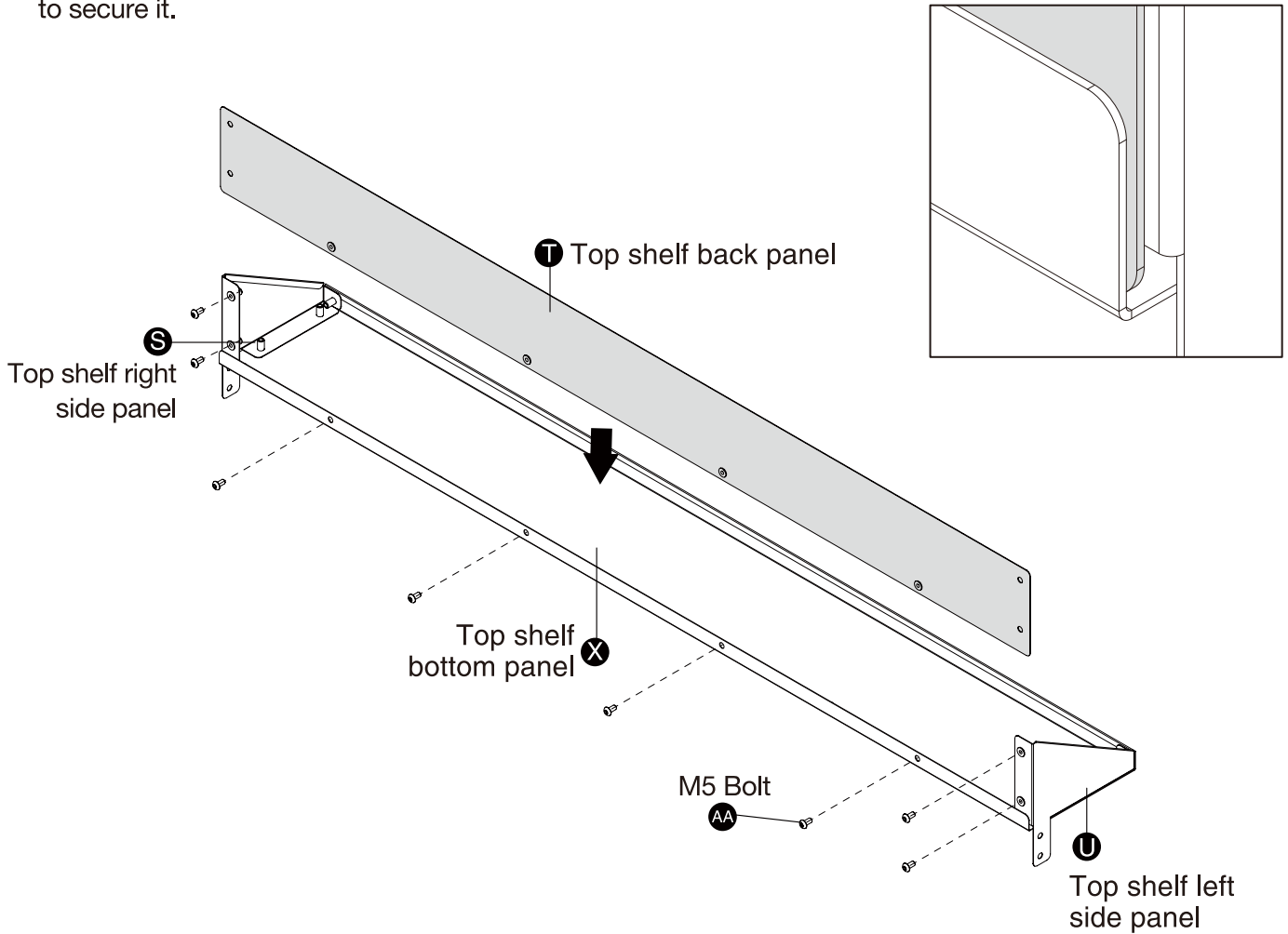


PART	S	U	X	AA
DESCRIPTION	Top shelf right side panel	Top shelf left side panel	Top shelf bottom panel	M5 Bolt
QTY	1	1	1	6

# ASSEMBLY

## Step 10.2: Assembly the Top Shelf Back Panel

- Insert the top shelf back panel (T) into the groove between the side panel of the top shelf (S&U) and top shelf bottom panel (X).
- Slide the top shelf back panel (T) down until it meets the top shelf bottom panel (X). And use eight bolts (AA) to secure it.



PART	T	AA
DESCRIPTION	Top shelf back panel	M5 Bolt
QTY	1	8

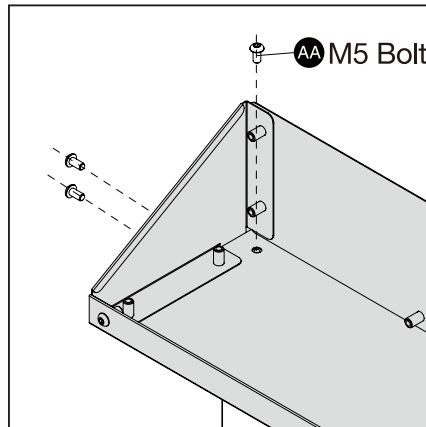
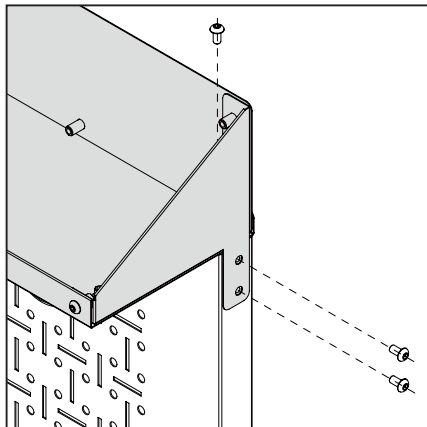
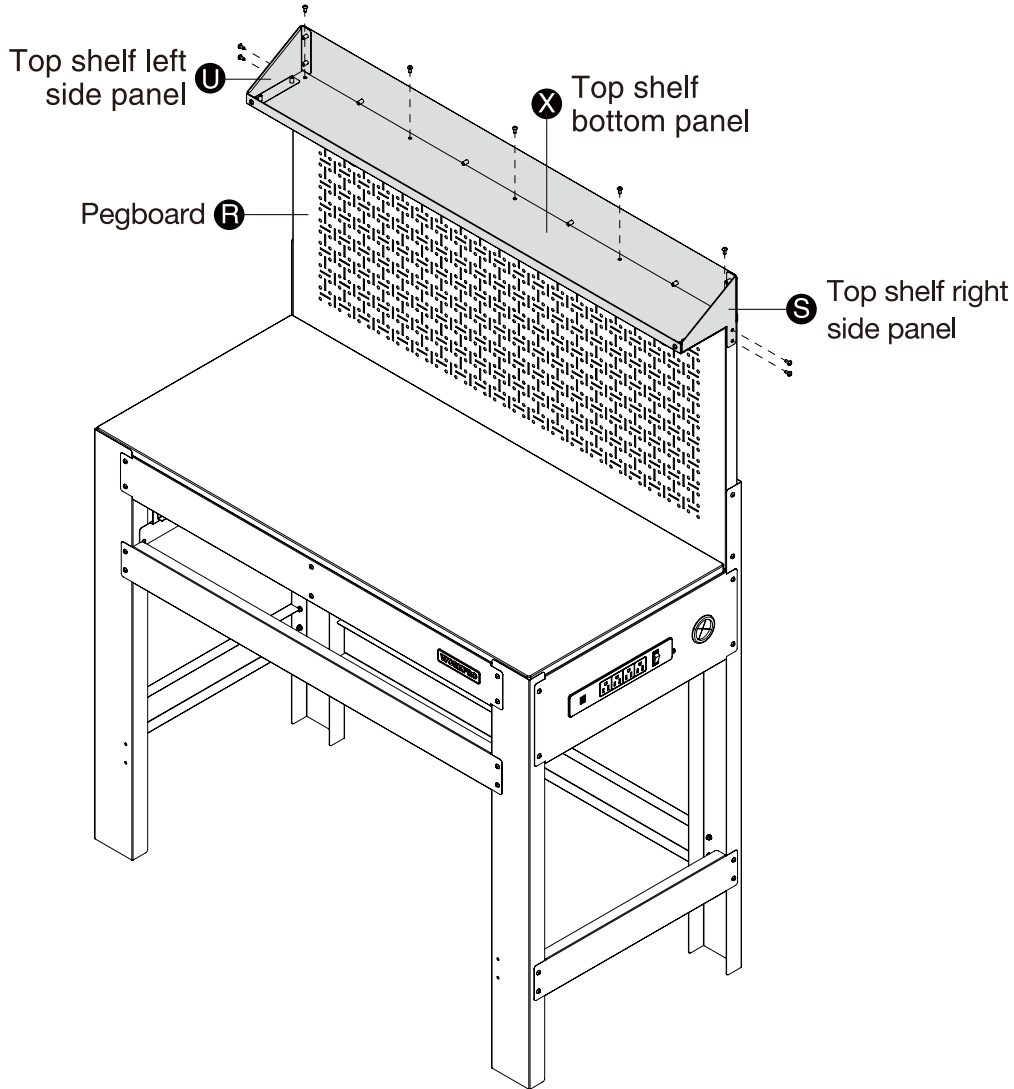
# ASSEMBLY

## Step 10.3: Install the Top Shelf

Fix the assembled top shelf onto the pegboard (R) with nine M5 bolts (AA), as shown in the figure.

**i NOTE:**

Tighten all the bolts completely.



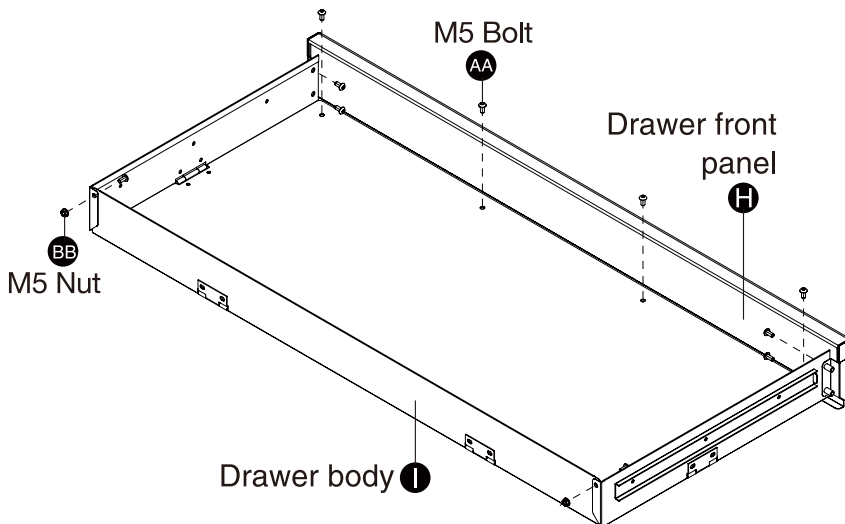
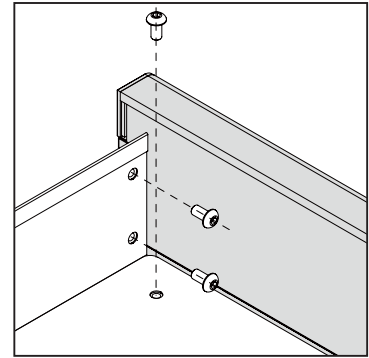
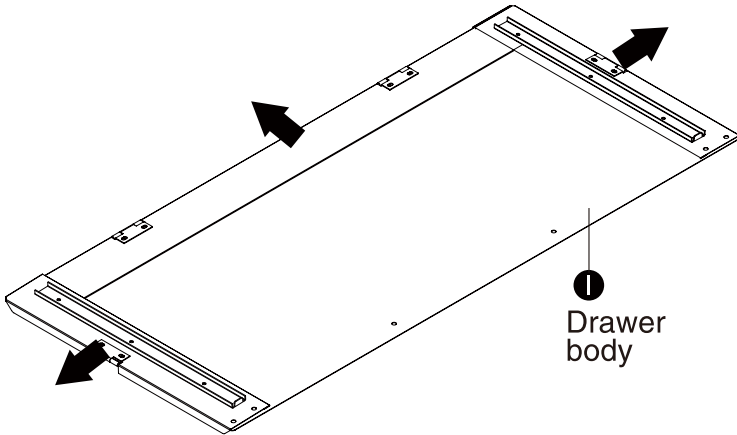
PART	AA
DESCRIPTION	M5 Bolt
QTY	9

# ASSEMBLY

## STEP 11: INSTALL THE DRAWER AND DRAWER MAT

### Step 11.1: Assembly the Drawer

- Lay the drawer body (I) on a flat surface.
- Fold up sides of the drawer, then fold up the back side.
- Connect and secure the side panel and back panel of the drawer body (I) using two bolts (AA) and nuts (BB); and then using eight bolts (AA) to connect the drawer front panel (H) to the front of the drawer body (I).

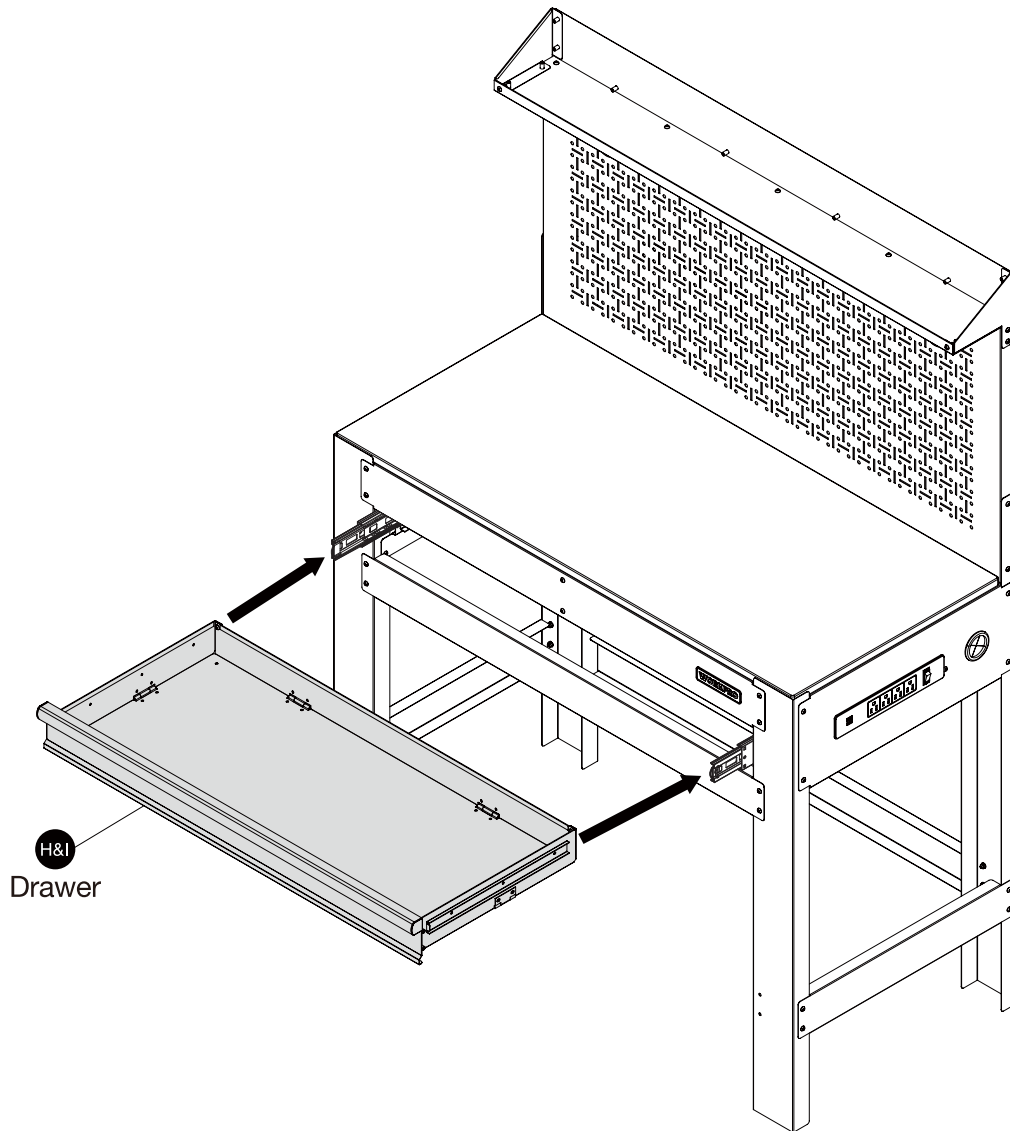


PART	H	I	AA	BB
DESCRIPTION	Drawer front panel	Drawer body	M5 Bolt	M5 Nut
QTY	1	1	10	2

# ASSEMBLY

## Step 11.2: Install the drawer

- Pull the outer drawer slides out until fully extended.
- Hold the outer drawer slide on the drawer slide panel while aligning them with inner drawer slides on the drawer.
- Slightly insert one side and repeat for the other side.
- Slowly push the drawer until it is fully closed to engage the slide.
- Open the drawer (H&I) and close it to verify proper operation.

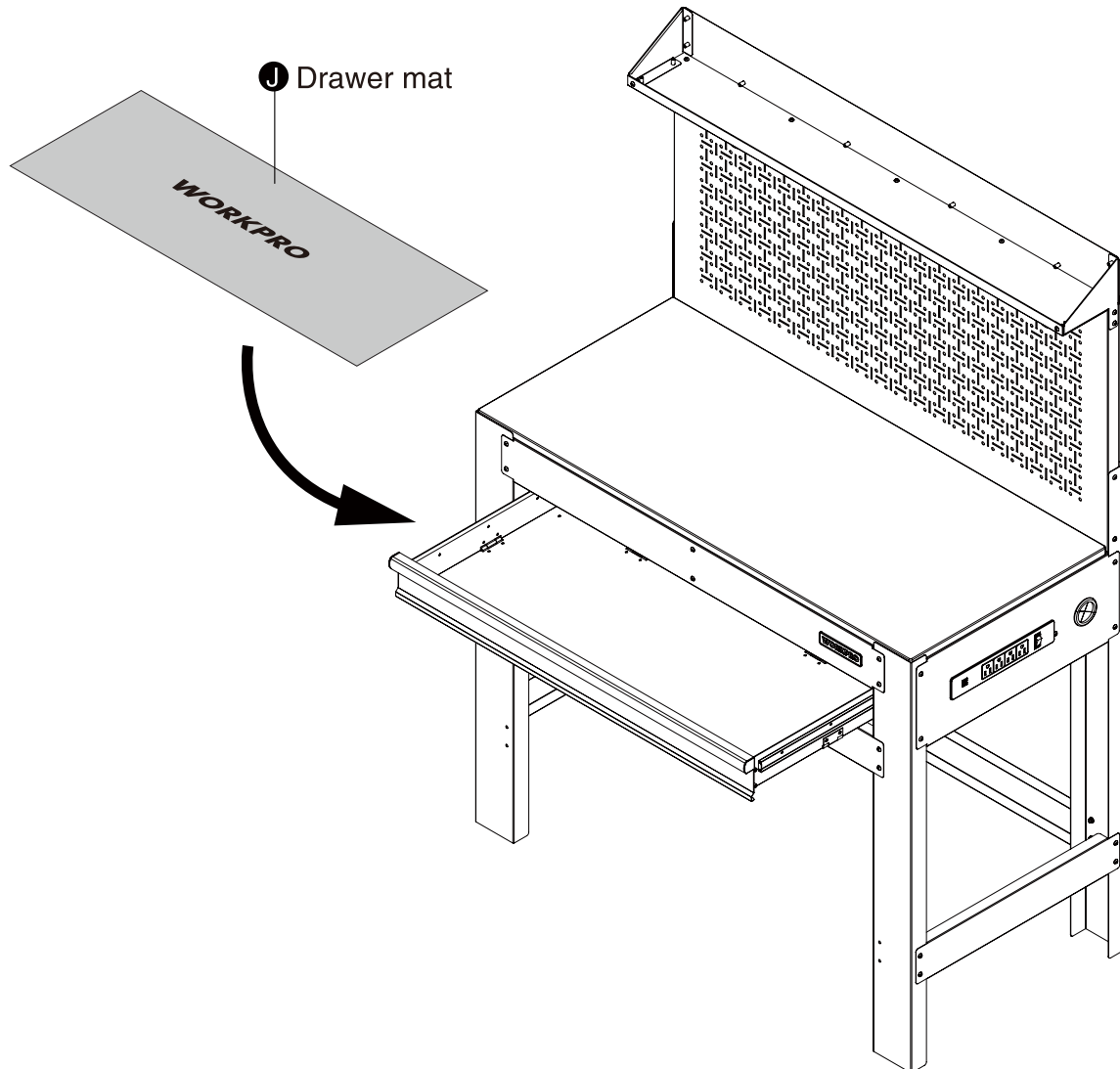


PART	H	I
DESCRIPTION	Drawer front panel	Drawer body
QTY	1	1

# ASSEMBLY

## Step 11.3: Install the Drawer Mat

Place the drawer mat (J) on the drawer as you need.

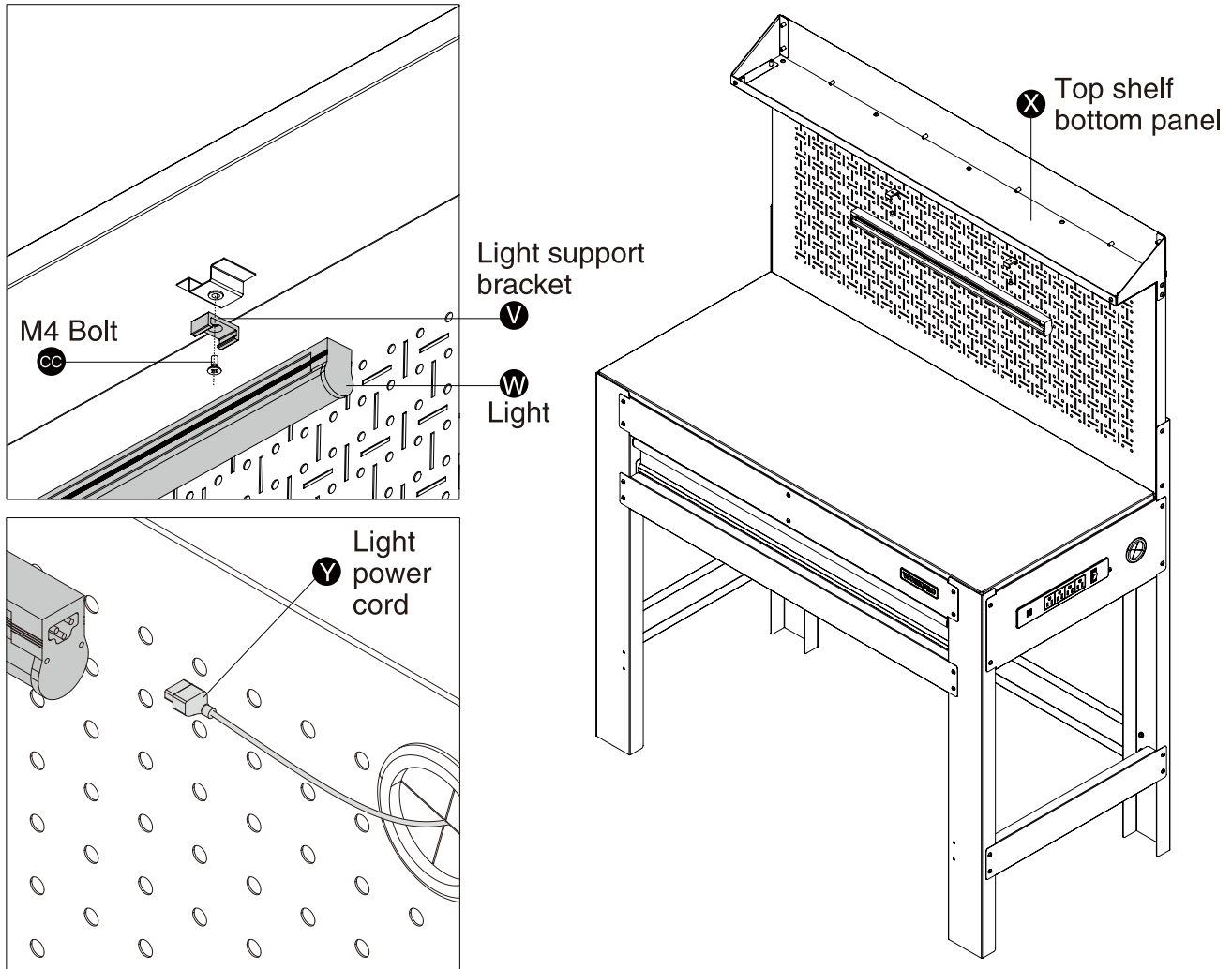


PART	J
DESCRIPTION	Drawer mat
QTY	1

# ASSEMBLY

## STEP 12: INSTALL THE LIGHT SUPPORT BRACKET AND LIGHT

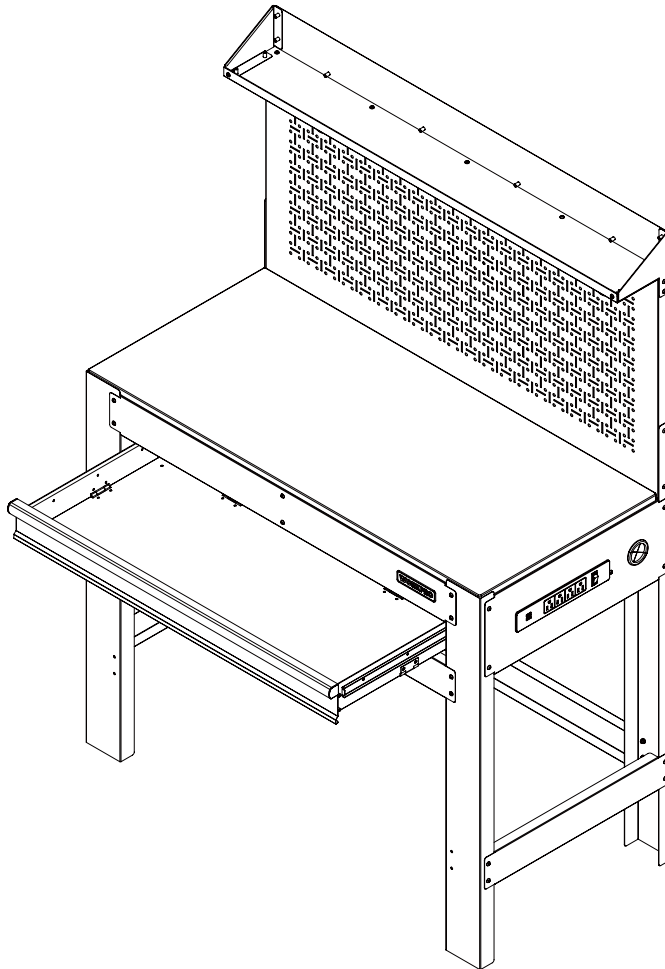
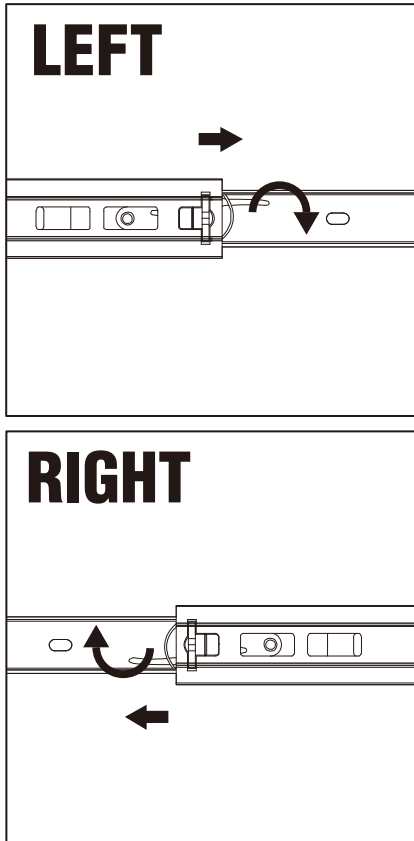
- Attach the light support brackets (V) to the bottom of the top shelf bottom panel (X) using two bolts (CC) packaged with the light support bracket (V) using a PH2 screwdriver (not included).
- Slide the Light (W) into the light support brackets (V).
- Feed the light power cord (Y) through the grommet in the pegboard (R). Plug the light power cord (Y) into the Light (W).



PART	V	W	Y	CC
DESCRIPTION	Light support bracket	Light	Light power cord	M4 Bolt
QTY	2	1	1	2

## REMOVING THE DRAWER

- Fully extend and empty the drawer.
- Push up the one release lever while pulling down on the other release lever.
- Pull the drawer outward until it is released from the drawer slide.



## REMOVING THE DRAWER

- Clean the metal parts using a mild liquid soap, rinse with clean water and dry thoroughly. Do not clean with abrasive detergents.
- Clean off water or other liquids spilled or splashed on the workbench immediately and dry the unit thoroughly.
- Keep your workbench covered to protect it from dust and moisture that could potentially damage the unit.
- Drawer maintenance: Lubricate the slides semi-annually with high-quality bearing grease.

## CUSTOMER SERVICE

If you are having difficulty in using this product and require support, please send an email to [service@greatstar-tools.com](mailto:service@greatstar-tools.com) or call 877-876-7562.