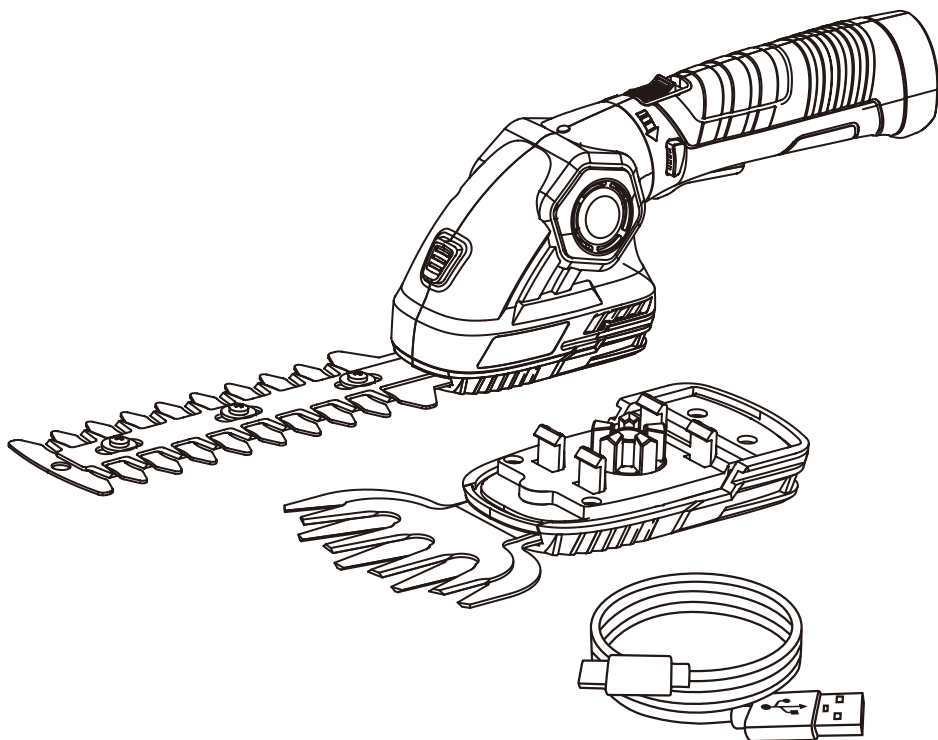


WORKPRO

W125106AE
W159019AE
W125209AE

ORIGINAL OPERATING INSTRUCTIONS 7.2V CORDLESS GRASS SHEAR & SHRUBBERY TRIMMER

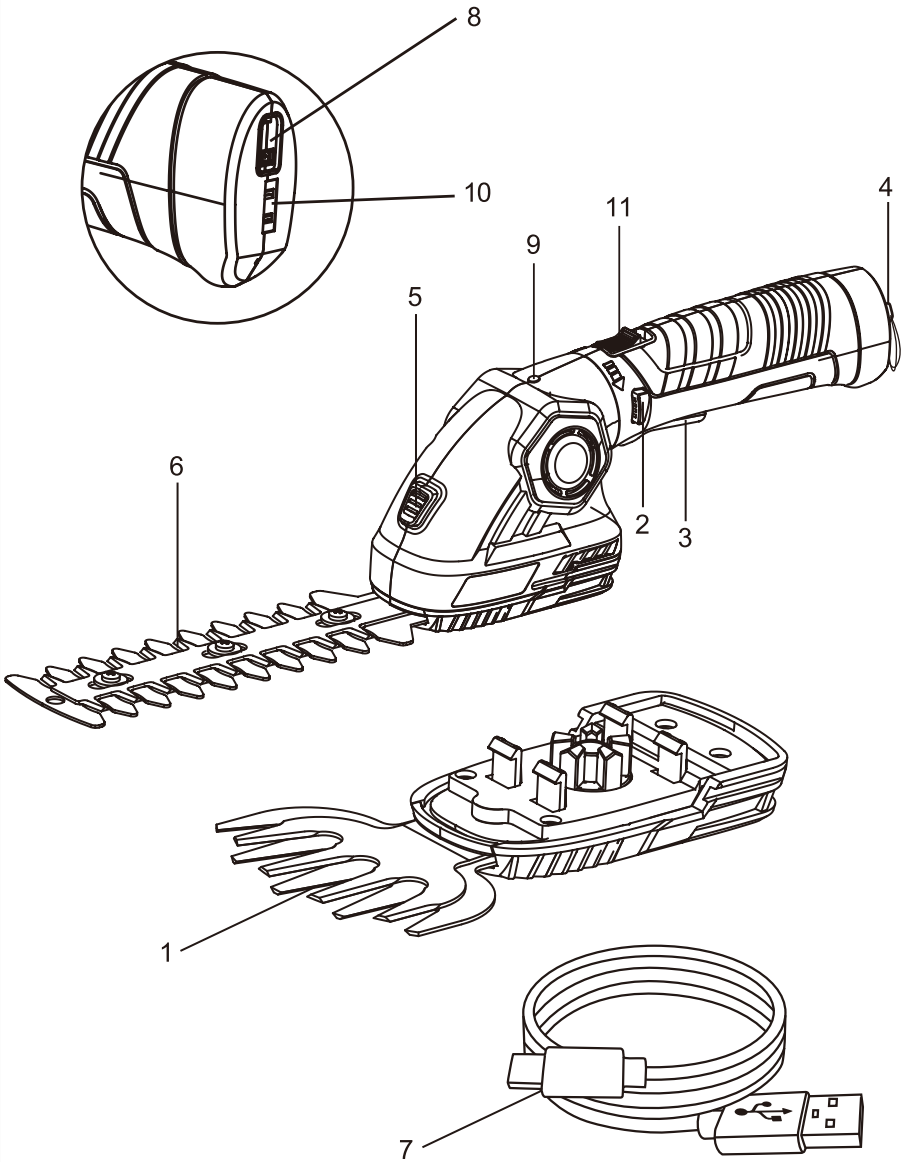


MODEL #: PLYL-98



Distributed by:
Hangzhou GreatStar Industrial Co., Ltd.
No.35 Jiuquan Road, Jiubao Town,
Hangzhou 310019, China
www.greatstartools.com

FIG. 1





Danger! - Read the operating instructions to reduce the risk of injury.



Hazard symbols with information on prevention of personal injury and property damage



Keep all other persons away from the danger zone.



Protect the tool from the damp and never expose it to rain.



Important! The cutter blades continue to run after the motor is switched off. Wait for the blades to come to a standstill. Risk of injury!



Guaranteed sound power level.

⚠ Danger!

When using the equipment, a few safety precautions must be observed to avoid injuries and damage. Please read the complete operating instructions and safety regulations with due care. Keep this manual in a safe place, so that the information is available at all times. If you give the equipment to any other person, hand over these operating instructions and safety regulations as well. We cannot accept any liability for damage or accidents which arise due to a failure to follow these instructions and the safety instructions.

1. General Power Tool Safety Warnings**⚠ Warning!**

Read all safety warnings, instructions, illustrations and specifications provided with this power tool. Failure to follow all instructions listed below may result in electric shock, fire and/or serious injury.

Save all warnings and instructions for future reference.

The term "power tool" in the warnings refers to your mains-operated (corded) power tool or battery-operated (cordless) power tool.

1) Work area safety

- **Keep work area clean and well lit.** Cluttered or dark areas invite accidents.
- **Do not operate power tools in explosive atmospheres, such as in the presence of flammable liquids, gases or dust.** Power tools create sparks which may ignite the dust or fumes.
- **Keep children and bystanders away while operating a power tool.** Distractions can cause you to lose control.

2) Electrical safety

- **Power tool plugs must match the outlet. Never modify the plug in any way.** Do not use any adapter plugs with earthed (grounded) power tools. Unmodified plugs and matching outlets will reduce risk of electric shock.
- **Avoid body contact with earthed or grounded surfaces, such as pipes, radiators, ranges and refrigerators.** There is an increased risk of electric shock if your body is earthed or grounded.
- **Do not expose power tools to rain or wet conditions.** Water entering a power tool will increase the risk of electric shock.
- **Do not abuse the cord. Never use the cord for carrying, pulling or unplugging the power tool.** Keep cord away from heat, oil, sharp edges or moving parts. Damaged or entangled cords increase the risk of electric shock.

- **When operating a power tool outdoors, use an extension cord suitable for outdoor use.** Use of a cord suitable for outdoor use reduces the risk of electric shock.
- **If operating a power tool in a damp location is unavoidable, use a residual current device (RCD) protected supply.** Use of an RCD reduces the risk of electric shock.

3) Personal safety

- **Stay alert, watch what you are doing and use common sense when operating a power tool.** Do not use a power tool while you are tired or under the influence of drugs, alcohol or medication. A moment of inattention while operating power tools may result in serious personal injury.
- **Use personal protective equipment. Always wear eye protection.** Protective equipment such as a dust mask, non-skid safety shoes, hard hat or hearing protection used for appropriate conditions will reduce personal injuries.
- **Prevent unintentional starting. Ensure the switch is in the off-position before connecting to power source and/or battery pack, picking up or carrying the tool.** Carrying power tools with your finger on the switch or energising power tools that have the switch on invites accidents.
- **Remove any adjusting key or wrench before turning the power tool on.** A wrench or a key left attached to a rotating part of the power tool may result in personal injury.
- **Do not overreach.** Keep proper footing and balance at all times. This enables better control of the power tool in unexpected situations.
- **Dress properly.** Do not wear loose clothing or jewellery. Keep your hair and clothing away from moving parts. Loose clothes, jewellery or long hair can be caught in moving parts.
- **If devices are provided for the connection of dust extraction and collection facilities, ensure these are connected and properly used.** Use of dust collection can reduce dust-related hazards.
- **Do not let familiarity gained from frequent use of tools allow you to become complacent and ignore tool safety principles.** A careless action can cause severe injury within a fraction of a second.

4) Power tool use and care

- **Do not force the power tool.** Use the correct power tool for your application. The correct power tool will do the job better and safer at the rate for which it was designed.
- **Do not use the power tool if the switch does not turn it on and off.** Any power tool that cannot be controlled with the switch is dangerous and must be repaired.

- **Disconnect the plug from the power source and/or remove the battery pack, if detachable, from the power tool before making any adjustments, changing accessories, or storing power tools.** Such preventive safety measures reduce the risk of starting the power tool accidentally.
- **Store idle power tools out of the reach of children and do not allow persons unfamiliar with the power tool or these instructions to operate the power tool.** Power tools are dangerous in the hands of untrained users.
- **Maintain power tools and accessories. Check for misalignment or binding of moving parts, breakage of parts and any other condition that may affect the power tool's operation.** If damaged, have the power tool repaired before use. Many accidents are caused by poorly maintained power tools.
- **Keep cutting tools sharp and clean.** Properly maintained cutting tools with sharp cutting edges are less likely to bind and are easier to control.
- **Use the power tool, accessories and tool bits etc.** in accordance with these instructions, taking into account the working conditions and the work to be performed. Use of the power tool for operations different from those intended could result in a hazardous situation.
- **Keep handles and grasping surfaces dry, clean and free from oil and grease.** Slippery handles and grasping surfaces do not allow for safe handling and control of the tool in unexpected situations.

5) Service

- Have your power tool serviced by a qualified repair person using only identical replacement parts. This will ensure that the safety of the power tool is maintained.

6) Battery tool use and care

- a. Ensure the switch is in the off position before inserting battery pack. Inserting the battery pack into power tools that have the switch on invites accidents.
- b. Recharge only with the charger specified by the manufacturer. A charger that is suitable for one type of battery pack may create a risk of fire when used with another battery pack.
- c. Use power tools only with specifically designated battery packs. Use of any other battery packs may create a risk of injury and fire.

- d. When battery pack is not in use, keep it away from other metal objects like paper clips, coins, keys, nails, screws, or other small metal objects that can make a connection from one terminal to another. Shorting the battery terminals together may cause burns or a fire.
- e. Under abusive conditions, liquid may be ejected from the battery; avoid contact. If contact accidentally occurs, flush with water. If liquid contacts eyes, additionally seek medical help. Liquid ejected from the battery may cause irritation or burns.

ADDITIONAL SAFETY INSTRUCTIONS FOR BATTERY CHARGING

- Before charging, read the instructions.
- Recharge only with USB power supply-5V DC.
- Do not charge a leaking battery.
- Do not use chargers for works other than those for which they are specified.
- The charging device must be protected from moisture.
- Do not use the charging device in the open.
- Do not short out the contacts of battery or power supply.
- Do not open the unit and keep out of the reach of children.
- Ensure that the connection between the battery charger and battery is correctly positioned and is not obstructed by foreign matter.
- When charging batteries, ensure that the battery charger is in a well-ventilated area and away from inflammable materials. Batteries can get hot during charging. Do not overcharge any batteries. Ensure that batteries and chargers are not left unsupervised during charging.
- Longer life and better performance can be obtained if the battery is charged when the air temperature is between 18°C and 24°C. Do not charge the battery in air temperatures below 4°C, or above 40°C. This is important as it can prevent serious damage to the battery.

ADDITIONAL SAFETY INSTRUCTIONS RELATED TO BATTERY SAFETY

Charge the tool only with 5V DC power supply, be sure to charge strictly according to the instructions.

Do not charge the battery in a place where static electricity is generated nor let the battery touch something that is statically charged.

The battery can be stored at temperatures between 40°F(4°C) and 104°F(40°C).

Never store or leave your lithium ion battery in temperatures over that recommended otherwise fire may occur.

DO NOT store the Lithium Ion battery anywhere that the temperature can easily reach higher temperatures than recommended -this includes garden type sheds, and Vehicles where the inside temperature can climb to dangerous levels in the direct sunlight and on high temperature days. **THINK BEFORE LEAVING YOUR LITHIUM ION BATTERY PACK IN STORAGE.**

The battery can be charged or operated at temperatures between 40°F(4°C) and 104°F(40°C). **NEVER CHARGE YOU LITHIUM ION BATTERY BELOW OR ABOVE TEMPERATURES RECOMMENDED OTHERWISE FIRE OR SERIOUS DAMAGE TO THE BATTERY PACK MAY OCCUR.**

The most suitable temperatures to charge the battery pack are between 68°F(20°C) -77°F(25°C).

Always allow the battery pack to cool down after charging, do not place it in a hot environment such as a metal shed or open trailer left in the sun.

Take care where the tool is stored. Do not store in areas of corrosive fumes, or salt air or similar conditions. Try and store the tool in the packaging supplied with the tool.

Do not dispose of the battery in a fire or put the battery into a microwave oven, conventional oven, dryer, or high-pressure container. Under these conditions, the battery may explode.

Never attempt to open the battery pack, puncture the battery or subject the battery to strong physical shock.

If you detect leakage or a foul odour, it is especially important to keep the battery away from fire. If battery liquid leaks onto your skin or clothes, wash well with clean water immediately. If liquid leaking from the battery gets into your eyes, do not rub your eyes. Rinse your eyes well (for at least 10 minutes) with clean water, and consult a doctor immediately.

Do not use a leaking battery.

Handle batteries with care to avoid shorting the battery with conducting materials, such as nails, screws, metal watch bands, rings, bracelets, and keys. The battery may overheat and could burn you.

After the battery has reached the end of its useful life, we recommend recycling the materials at your local municipal council recycling centre. DO NOT attempt to replace the battery cells in the battery pack, repair or modify any part of the battery pack assembly.

WHEN TO CHARGE THE BATTERY

New batteries are shipped in a low charged condition and should be fully charged before Use. The battery pack can be recharged at any time during use, provided the pack is not overheated.

If the battery pack starts to cut out due to low voltage, or previous tasks undertaken can no longer be performed, it is suggested to stop using the tool and recharge the battery.

For storage, it is suggested to recharge the battery between 50% and 75% charge, and charge the device at least once in 3-6 months to preserve battery lifespan.


IMPORTANT SAFETY INSTRUCTIONS FOR CORDLESS GRASS SHEAR

WARNING: When using electric gardening appliances, basic safety precautions should always be followed to reduce the risk of fire, electric shock, and personal injury, including the following:

1. Avoid dangerous environment - Do not use appliances in damp or wet locations.
2. Don't use in rain.
3. Keep children away - All visitors should be kept at a distance from work area.
4. Dress properly - Do not wear loose clothing or jewelry. They can be caught in moving parts. Use of rubber gloves and substantial footwear is recommended when working outdoors. Wear protective hair covering to contain long hair.
5. Use Safety Glasses – Always use face or dust mask if operation is dusty.
6. Use Right Appliance - Do not use appliance for any job except that for which it is intended.
7. Avoid Unintentional Starting – Do not carry appliance with finger on switch. Be sure switch is off before inserting battery pack.
8. Do not grasp the exposed cutting blades or cutting edges when picking up or holding the appliance.
9. Do not Force Appliance - It will do the job better and with less likelihood of a risk of injury at the rate for which it was designed.
10. Do not Overreach - Keep proper footing and balance at all times.
11. Stay Alert - Watch what you are doing. Use common sense. Do not operate appliance when you are tired.
12. Store Idle Appliances Indoors - When not in use, appliances should be stored indoors in dry, and high or locked-up place out of reach of children.
13. Maintain Appliance With Care - Keep cutting edge sharp and clean for best performance and to reduce the risk of injury. Follow instructions for lubricating and changing accessories. Keep handles dry, clean, and free from oil and grease.

14. Check Damaged Parts - Before further use of the appliance, a guard or other part that is damaged should be carefully checked to determine that it will operate properly and perform its intended function. Check for alignment of moving parts, binding of moving parts, breakage of parts, mounting, and any other condition that may affect its operation. A guard or other part that is damaged should be properly repaired or replaced by an authorized service center unless indicated elsewhere in this manual.
15. Keep hands away from blades.
16. Do not use or charge appliance in rain, or in wet locations.
17. Do not use battery-operated appliance in rain.
18. Remove or disconnect battery before servicing, cleaning or removing material from the appliance. Such preventive safety measures reduce the risk of starting the appliance accidentally.
19. Use only the battery(ies) listed in "SPECIFICATIONS". Use of any other batteries may create a risk of fire.
20. Exercise care in handling batteries in order not to short the battery with conducting materials such as rings, bracelets, and keys. The battery or conductor may overheat and cause burns.
21. Use safety equipment. Always wear eye protection. Dust mask, non-skid safety shoes, hard hat, or hearing protection must be used for appropriate conditions.
22. Be aware that this appliance is always in an operating condition, because it does not have to be plugged into an electrical outlet.
23. Do not operate appliances in explosive atmospheres, such as in the presence of flammable liquids, gases, or dust. Appliances create sparks which may ignite the dust or fumes.
24. A battery operated appliance with integral batteries or a separate battery pack must be recharged only with the specified charger for the battery. A charger that may be suitable for one type of battery may create a risk of fire when used with another battery.
25. Use battery operated appliance only with specifically designated battery pack. Use of any other batteries may create a risk of fire.
26. Remove adjusting keys or wrenches before turning the appliance on. A wrench or a key that is left attached to a rotating part of the appliance may result in personal injury.
27. Do not use appliance if switch does not turn it on or off. An appliance that cannot be controlled with the switch is dangerous and must be repaired.
28. Use only accessories that are recommended by the manufacturer for your model. Accessories that may be suitable for one appliance may create a risk of injury when used on another appliance.
29. Appliance service must be performed only by qualified repair personnel. Service or maintenance performed by unqualified personnel may result in a risk of injury.
30. When servicing an appliance, use only identical replacement parts. Follow instructions in the Maintenance section of this manual. Use of unauthorized parts or failure to follow Maintenance instructions may create a risk of shock or injury.
31. Before cutting grass, remove foreign matter such as rocks and large sticks from the work area. Be careful not to catch foreign matter between blades, otherwise blades may be jammed. If this happens, switch the appliance off. Then remove the obstruction from the blades.
32. When not in use, be sure to cover the blades with blade cover.
33. If the blades stop moving due to the stuck of foreign objects between the blades during operation, switch off the tool and remove the battery cartridge, and then remove the foreign objects using tools such as pliers. Removing the foreign objects by hand may cause an injury for the reason that the blades may move in reaction to removing the foreign objects.

CORDLESS HEDGE TRIMMER SAFETY WARNINGS

 **WARNING:** Drilling, sawing, sanding or machining wood products can expose you to wood dust, a substance known to the State of California to cause cancer. Avoid inhaling wood dust or use a dust mask or other safeguards for personal protection. For more information go to www.P65Warnings.ca.gov/wood.

1. Keep all parts of the body away from the blade. Do not remove cut material or hold material to be cut when blades are moving. Blades continue to move after the switch is turned off. A moment of inattention while operating the hedge trimmer may result in serious personal injury.
2. Carry the hedge trimmer by the handle with the blade stopped and taking care not to operate any power switch. Proper carrying of the hedge trimmer will decrease the risk of inadvertent starting and resultant personal injury from the blades.
3. When transporting or storing the hedge trimmer, always fit the blade cover. Proper handling of the hedge trimmer will decrease the risk of personal injury from the blades.

4. When clearing jammed material or servicing the unit, make sure all power switches are off and the battery pack is removed or disconnected. Unexpected actuation of the hedge trimmer while clearing jammed material or servicing may result in serious personal injury.
5. Hold the hedge trimmer by insulated gripping surfaces only, because the blade may contact hidden wiring. Blades contacting a "live" wire may make exposed metal parts of the hedge trimmer "live" and could give the operator an electric shock.
6. Keep all power cords and cables away from cutting area. Power cords or cables may be hidden in hedges or bushes and can be accidentally cut by the blade.
7. Do not use the hedge trimmer in bad weather conditions, especially when there is a risk of lightning. This decreases the risk of being struck by lightning.

2. Layout and items supplied

2.1 Layout (Fig. 1)

1. Grass shear blade
2. Safety lock-off button
3. On/Off switch
4. Safety lock key
5. Blade release button
6. Shrubbery blade
7. USB type-C cable
8. Socket for charge plug
9. Charger LED indicator
10. Socket for safety lock key
11. Handle rotation button

2.2 Unpacking

Carton contents

- Cordless Grass Shear & Shrubbery Trimmer
- Shrubbery blade
- Grass shear blade
- USB type-C cable
- Operation manual

1. Carefully remove the cordless grass shear & shrubbery trimmer and check to see that all of the above items are supplied.
2. Inspect the product carefully to make sure no breakage or damage occurred during shipping. If you find damaged or missing parts, please contact us at the first time.

i **NOTE:** Do not discard the shipping carton and packaging material until you are ready to use your new cordless grass shear & shrubbery trimmer. The packaging is made of recyclable materials. Properly dispose of these materials in accordance with local

regulations.

⚠ Important!

The equipment and packaging material are not toys. Do not let children play with plastic bags, foils or small parts. These items can be swallowed and pose a suffocation risk!

3. Proper use

The equipment is designed for cutting the edges of lawns and small areas of grass in private and hobby gardens. The tool can be used to trim small hedges and shrubs.

Tools for private and hobby gardens are not suitable for use in public facilities, parks and sport centers, along roadways, on farms or in the forestry sector. For the tool to be used properly it is imperative to follow the instructions set out in the manufacturer's directions for use.

⚠ Warning!

It is prohibited to use the tool to chop material for composting because of the potential danger to persons and property.

The machine is to be used only for its prescribed purpose. Any other use is deemed to be a case of misuse. The user / operator and not the manufacturer will be liable for any damage or injuries of any kind caused as a result of this.

Please note that our equipment has not been designed for use in commercial, trade or industrial businesses or for equivalent purposes.

4. Technical data

Cutting width of grass shears	90 mm
Cutting length of shrub shears	140 mm
Cutting thickness of shrub shears	7.8 mm
Battery	Lithium-ion / 7.2 V d.c. / 2.0 Ah
Charging time	2-3 h
Sound pressure level L_{pA}	Grass shear: 72.7dB(A) K=3dB(A) Shrubbery: 71.9dB(A) K=3dB(A)
Sound power level L_{WA}	Grass shear: 83.2dB(A) K=3dB(A) Shrubbery: 82.6dB(A) K=3dB(A)
Guaranteed L_{WA}	86 dB(A)
Vibration a_h	1.52 m/s ²
Uncertainty K	1.5 m/s ²
Charging voltage	5VDC

- The vibration emission level has been measured in accordance with a set of standardized criteria and can be used to compare one power tool with another.
- The specified emission level can also be used to make an initial assessment of the exposure to vibrations.

⚠ Important!

The vibration value changes according to the area of application of the electric equipment and may exceed the specified value in exceptional circumstances.

Keep the noise emissions and vibrations to a minimum.

- Only use appliances which are in perfect working order.
- Service and clean the appliance regularly.
- Adapt your working style to suit the appliance.
- Do not overload the appliance.
- Have the appliance serviced whenever necessary.
- Switch the appliance off when it is not in use.
- Wear protective gloves.

⚠ Caution!

Residual risks

Even if you use this electric power tool in accordance with instructions, certain residual risks cannot be ruled out. The following hazards may arise in connection with the equipment's construction and layout:

- Lung damage if no suitable protective dust mask is used.
- Damage to hearing if no suitable ear protection is used.
- Health damage caused by hand-arm vibrations if the equipment is used over a prolonged period or is not properly guided and maintained.

5. Before starting the equipment

5.1 Charging the battery (Fig. 2)

- Connect to power supply (DC 5V, 500mA to 2000mA), it can be any mobile phone charger or USB port of the computer or power bank (output 5V DC).
- LED will illuminate red when charging.
- The battery will take approximately 3 hours to charge. Charging may take up to 5 hours due to the level of charge left in the battery, the ambient temperature, and output current of power supply.
- LED will illuminate green when fully charged.

For safety reasons it is not possible to work with the battery while it is being charged.

To ensure that the battery pack provides long service, you should take care to recharge it promptly.

You must recharge the battery pack when you notice that the power of the cordless grass shear & shrubbery trimmer drops. Never fully discharge the battery pack. This will cause it to develop a defect.

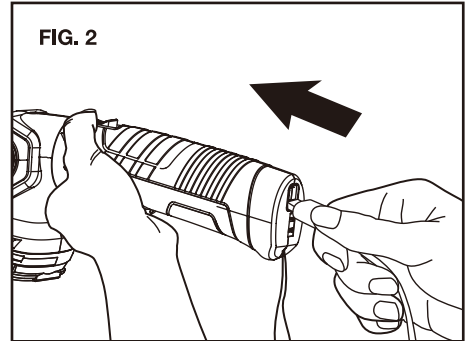


FIG. 2

⚠ Warning!

The switching devices installed on the tool by the manufacturer are not allowed to be removed or bypassed, e.g. by fitting a switching button to the handle, as this may result in risk of injury and the tool will no longer switch off automatically.

6. Operation

The area to be cut must first be cleared of stones and other solid objects. The safety lock-off (Fig. 1) prevents the tool being started unintentionally.

⚠ Warning!

The blades continue to move for a few seconds after the tool is switched OFF. Turn OFF the tool and wait until the blades come to a complete stop before adjusting or cleaning.

⚠ Caution!

Never touch the blade rail while the tool is in operation and be aware of the sharp edges even when the grass and shrub shears is not in use.

ⓘ NOTE: Do not touch the rotating blades.

Switching on (Fig. 3 & Fig. 4)

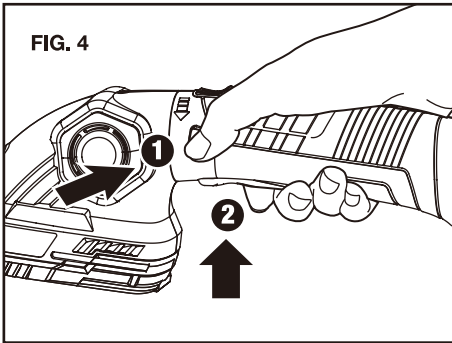
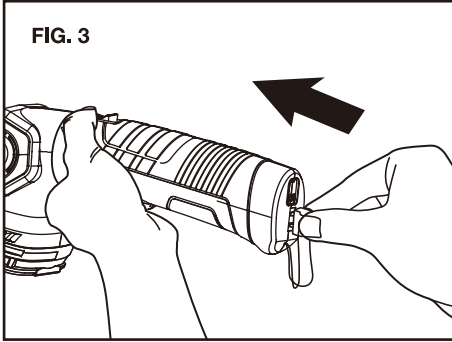
Plug in the safety key on rear end of handle (Fig. 3)

Activate the safety lock-off by pressing it and pressing the ON/OFF switch (3) at the same time.

Switching off

To switch off the equipment, let go of the ON/OFF switch.

If not used for a period of time, please pull out the safety lock key (4).



6.1 Cutting grass

Allow the grass cutter to glide above the ground. The best results are achieved when the lawn is dry.

When you notice a drop in cutting performance, re-charge the tool immediately so that the battery does not become fully discharged.

6.2 Trimming hedges

The tool can be used to trim small hedges and shrubs. Hold the tool slightly tilted in relation to the hedge you want to cut. First cut the sides from the bottom up, then cut the top.

Watch out for foreign objects in or on the hedge which could damage the blades.

When is the best time to trim hedges?

- As a general rule, hedges which lose their leaves in the autumn should be trimmed in June and October.
- Hedges which do not lose their leaves should be cut in April and August.

6.3 Rotating rear handle (See Fig.5-8)

- The handle of this grass shear & shrubby trimmer can be rotated to three different angles (-90°, 0°, 90°) to assist with your job requirements.
- Middle position (0°) will assist you for grass cutting or trimming hedges top conveniently.
- Left position (-90°) and right position (+90°) will provide you comfortable gripping posture when trimming left or right side of hedges. (Fig 7, 8)
- To return the handle to the different angles, pull back the handle rotation button (11) and rotate the handle clockwise or anticlockwise till the handle locks into position. (Fig 5, 6)

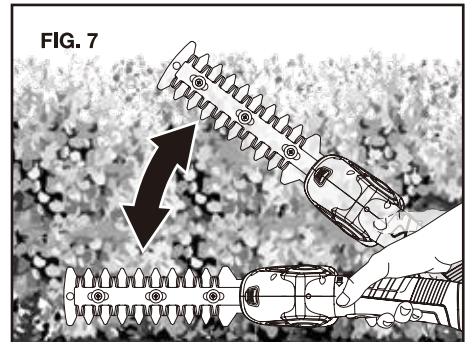
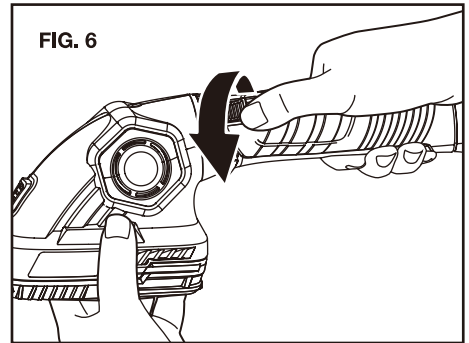
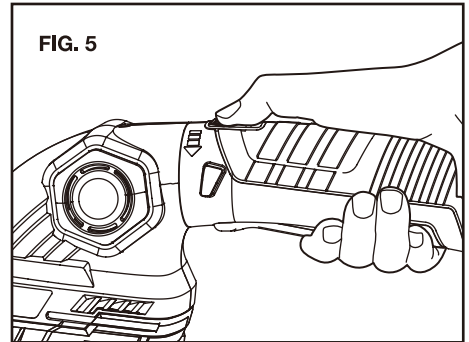


FIG. 8

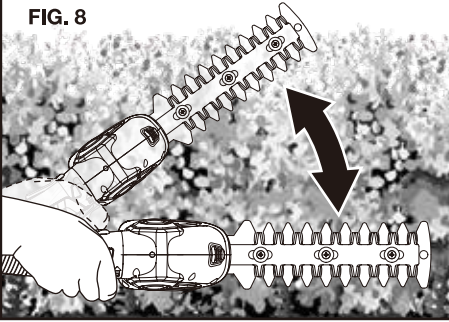
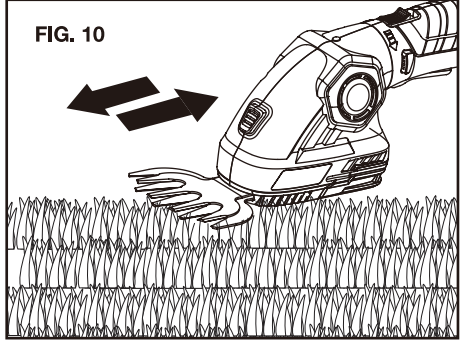


FIG. 10



6.4 Changing the blade (See Fig.9-13)

⚠ Warning! Risk of injury!

Remove the safety key from the tool before changing blades.

- The grass and shrubbery shears is equipped with two interchangeable blades that are designed for do-it-yourself grooming projects around your garden. The shrubbery blade (6) is used to cut hedges and shrubbery (Fig. 9) while the grass shear blade (1) is used to cut grass and hedges where finer detail is required (Fig. 10).
- To fit or change the blade, hold the grass shear & shrubbery trimmer on head top.
- Press the blade release button (5). Meanwhile, remove the blade mechanism by pulling down the blade rear box with other hand. (Fig 11, 12)
- Insert the desired blade into the base of the motor housing till the blade rear box locks into position. (Fig. 13)

FIG. 11

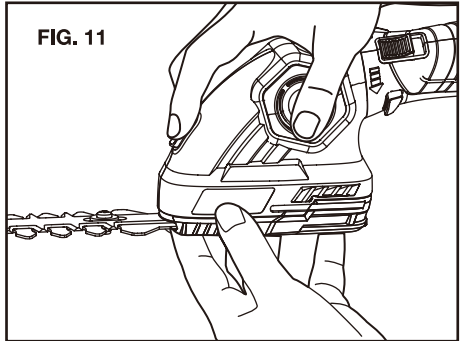


FIG. 12

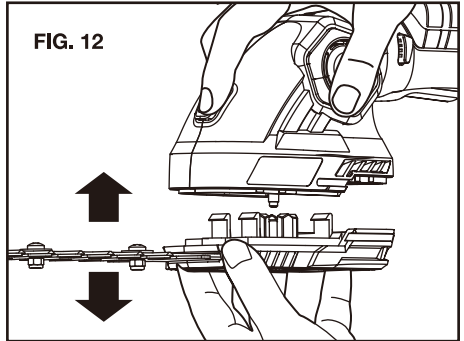
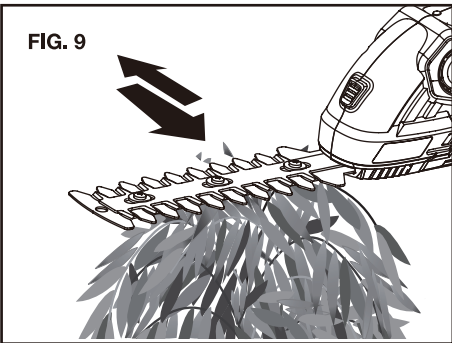
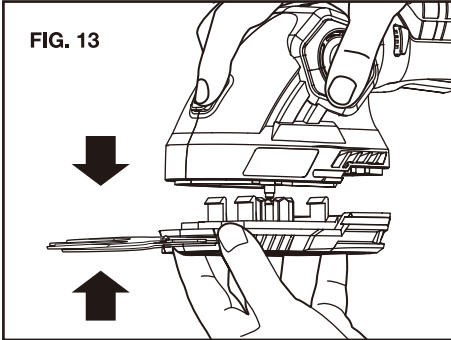


FIG. 9





7. Cleaning, maintenance

7.1 Cleaning

- Keep all safety devices, air vents and the motor housing free of dirt and dust as far as possible. Wipe the equipment with a clean cloth or blow it with compressed air at low pressure.
- We recommend that you clean the device immediately each time you have finished using it.
- Clean the equipment regularly with a moist cloth and some soft soap. Do not use cleaning agents or solvents, these could attack the plastic parts of the equipment. Ensure that no water can seep into the device.
- A few drops of oil (e.g. sewing machine oil) will improve the cutting performance of the blades, but never apply any grease to the blades.
- To ensure constant exact cutting it is also important to remove grass remnants and dirt from between the upper and lower blade.

Caution!

Never clean the tool under running water and particularly never with high pressure washer, because of the potential danger to persons and property. Keep your cordless grass and shrubbery shear in a dry and frost-proof place. Choose a place that children are unable to enter.

7.2 Maintenance

- To achieve good results you should keep the blades sharp at all times. In particular we recommend that you immediately level off any jags or ridges caused by stones or the like. The tool should be thoroughly cleaned both before and after use.
- There are no parts inside the equipment which require additional maintenance.

8. Disposal and recycling



The unit is supplied in packaging to prevent it being damaged in transit. This packaging is raw material and can therefore be reused or can be returned to the raw material system.



The unit and its accessories are made of various types of material, such as metal and plastic. Defective components must be disposed of as special waste. Ask your dealer or your local council.



Think of the environment when disposing of batteries. Contact your local authorities to find out where your nearest disposal area is. Do not dispose of batteries with domestic refuse. Do not dispose of by burning, risk of explosion.