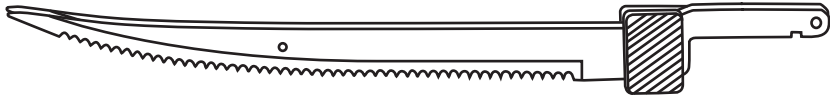
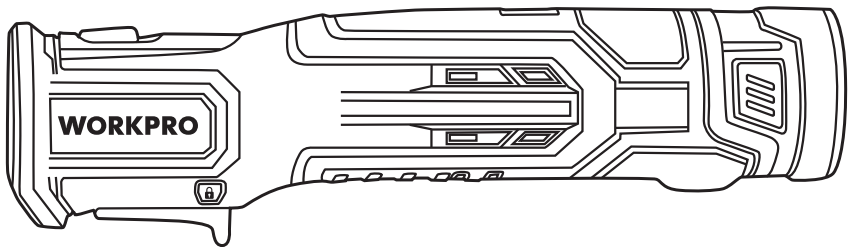


# WORKPRO

## ORIGINAL OPERATING INSTRUCTIONS 12V ELECTRIC FILLET KNIFE



10" STIFF BLADES



8" FLEX BLADES

Thank you for buying a WORKPRO product. Your electric fish fillet knife has been engineered and manufactured to WORKPRO's high standard for dependability, ease of operation, and operator safety. When properly cared for, it will give you years of rugged, trouble-free performance.



**WARNING:** To reduce the risk of injury, the user must read and understand the operator's manual before using this product.

**SAVE THIS MANUAL FOR FUTURE REFERENCE**



Distributed by :  
Hangzhou GreatStar Industrial Co., Ltd.  
No.35 Jiuhuan Road, Jiubao Town,  
Hangzhou 310019, China  
[www.greatstartools.com](http://www.greatstartools.com)  
MADE IN CHINA

# INTRODUCTION

The device is designed for its intended purpose — cutting fish fillet. The device is ideal for cutting small, medium and large size fish.

The device is intended for use by adults. Never allow people who are not familiar with the instructions or children to use the machine. Local regulations may specify an age limit for the user.

This product is not intended for commercial use. Generally acknowledged accident prevention regulations and enclosed safety instructions must be observed.

Only perform work described in these instructions for use. Any other use is improper. The manufacturer will not assume responsibility for damage resulting from such use.

**For storage, it is suggested to recharge the battery between 50% and 75% charge, and charge the device at least once in 3-6 months to preserve battery lifespan.**

# GENERAL POWER TOOL SAFETY WARNINGS

## Danger!

When using the equipment, a few safety precautions must be observed to avoid injuries and damage. Please read the complete operating instructions and safety regulations with due care. Keep this manual in a safe place, so that the information is available at all times. If you give the equipment to any other person, hand over these operating instructions and safety regulations as well. We cannot accept any liability for damage or accidents which arise due to a failure to follow these instructions and the safety instructions.

## 1. GENERAL POWER TOOL SAFETY WARNING

### WARNING!

Read and understand all instructions. Failure to follow the warnings and instructions may result in electric shock, fire and/or serious injury.

Save all warnings and instructions for future reference.

The term "power tool" in the warnings refers to your mains-operated (corded) power tool or battery-operated (cordless) power tool.

### 1) Work area safety

- Keep work area clean and well lit. Cluttered or dark areas invite accidents.
- Do not operate power tools in explosive atmospheres, such as in the presence of flammable liquids, gases or dust. Power tools create sparks which may ignite the dust or fumes.
- Keep children and bystanders away while operating a power tool. Distractions can cause you to lose control.

### 2) Electrical safety

- Power tool plugs must match the outlet. Never modify the plug in any way. Do not use any adapter plugs with earthed (grounded) power tools. Unmodified plugs and matching outlets will reduce risk of electric shock.
- Avoid body contact with earthed or grounded surfaces, such as pipes, radiators, ranges and refrigerators. There is an increased risk of electric shock if your body is earthed or grounded.
- Do not expose power tools to rain or wet conditions. Water entering a power tool will increase the risk of electric shock.
- Do not abuse the cord. Never use the cord for carrying, pulling or unplugging the power tool. Keep cord away from heat, oil, sharp edges or moving parts. Damaged or entangled cords increase the risk of electric shock.
- When operating a power tool outdoors, use an extension cord suitable for outdoor use. Use of a cord suitable for outdoor use reduces the risk of

electric shock.

- If operating a power tool in a damp location is unavoidable, use a residual current device (RCD) protected supply. Use of an RCD reduces the risk of electric shock.

### 3) Personal safety

- Stay alert, watch what you are doing and use common sense when operating a power tool. Do not use a power tool while you are tired or under the influence of drugs, alcohol or medication. A moment of inattention while operating power tools may result in serious personal injury.
- Use personal protective equipment. Always wear eye protection. Protective equipment such as a dust mask, non-skid safety shoes, hard hat or hearing protection used for appropriate conditions will reduce personal injuries.
- Prevent unintentional starting. Ensure the switch is in the off-position before connecting to power source and/or battery pack, picking up or carrying the tool. Carrying power tools with your finger on the switch or energising power tools that have the switch on invites accidents.
- Remove any adjusting key or wrench before turning the power tool on. A wrench or a key left attached to a rotating part of the power tool may result in personal injury.
- Do not overreach. Keep proper footing and balance at all times. This enables better control of the power tool in unexpected situations.
- Dress properly. Do not wear loose clothing or jewellery. Keep your hair and clothing away from moving parts. Loose clothes, jewellery or long hair can be caught in moving parts.
- If devices are provided for the connection of dust extraction and collection facilities, ensure these are connected and properly used. Use of dust collection can reduce dust-related hazards.
- Do not let familiarity gained from frequent use of tools allow you to become complacent and ignore tool safety principles. A careless action can cause severe injury within a fraction of a second.

### 4) Power tool use and care

- Do not force the power tool. Use the correct power tool for your application. The correct power tool will do the job better and safer at the rate for which it was designed.
- Do not use the power tool if the switch does not turn it on and off. Any power tool that cannot be controlled with the switch is dangerous and must be repaired.
- Disconnect the plug from the power source and/or remove the battery pack, if detachable, from the power tool before making any adjustments, changing accessories, or storing power tools. Such preventive

# GENERAL POWER TOOL SAFETY WARNINGS

safety measures reduce the risk of starting the power tool accidentally.

- Store idle power tools out of the reach of children and do not allow persons unfamiliar with the power tool or these instructions to operate the power tool. Power tools are dangerous in the hands of untrained users.
- Maintain power tools and accessories. Check for misalignment or binding of moving parts, breakage of parts and any other condition that may affect the power tool's operation. If damaged, have the power tool repaired before use. Many accidents are caused by poorly maintained power tools.
- Keep cutting tools sharp and clean. Properly maintained cutting tools with sharp cutting edges are less likely to bind and are easier to control.
- Use the power tool, accessories and tool bits etc. in accordance with these instructions, taking into account the working conditions and the work to be performed. Use of the power tool for operations different from those intended could result in a hazardous situation.
- Keep handles and grasping surfaces dry, clean and free from oil and grease. Slippery handles and grasping surfaces do not allow for safe handling and control of the tool in unexpected situations.

## 5) Service

Have your power tool serviced by a qualified repair person using only identical replacement parts. This will ensure that the safety of the power tool is maintained.

## 6) Battery tool use and care

- a. Ensure the switch is in the off position before inserting battery pack. Inserting the battery pack into power tools that have the switch on invites accidents.
- b. Recharge only with the charger specified by the manufacturer. A charger that is suitable for one type of battery pack may create a risk of fire when used with another battery pack.
- c. Use power tools only with specifically designated battery packs. Use of any other battery packs may create a risk of injury and fire.
- d. When battery pack is not in use, keep it away from other metal objects like paper clips, coins, keys, nails, screws, or other small metal objects that can make a connection from one terminal to another. Shorting the battery terminals together may cause burns or a fire.
- e. Under abusive conditions, liquid may be ejected from the battery; avoid contact. If contact accidentally occurs, flush with water. If liquid contacts eyes, additionally seek medical help. Liquid ejected from the battery may cause irritation or burns.

## ADDITIONAL SAFETY INSTRUCTIONS FOR THE CHARGER

Your WORKPRO tool with Lithium Ion batteries may only be charged with the specific designed WORKPRO Lithium Ion battery charger purchased with the tool.

**IT IS DANGEROUS TO USE ANY OTHER BATTERY CHARGER TO CHARGE YOUR TOOL.** Do not attempt to charge the battery pack with any other charger than the one supplied.

Before using the charger, read all the instructions, labels and cautionary markings on the charger and battery pack as well as the instructions on using the battery pack.

Do not use the charger if it has been subjected to a heavy knock, dropped or otherwise damaged in anyway. Take the charger to an authorised service centre for a check or repair.

Do not disassemble the charger. Opening or removing covers may expose you to dangerous voltages or other risks. Incorrect reassembly can cause electric shock when you use the tool or charger again. Take the charger to a power tool repair centre when service or repair is required.

**⚠ DANGER.** If the battery pack is cracked or damaged in any other way, do not insert it in the charger.

Do not plug anything other than your WORKPRO tool into the charger, as other objects may touch dangerous voltage points or short out parts, which could result in fire or electric shock.

Do not place the tool or charger on an uneven surface, as a fall may cause serious damage.

Never place the tool or charger near or over a heat source such as a radiator or heater.

Do not operate the charger in a cabinet or other enclosure unless proper ventilation is provided.

Use the battery charger indoors only.

**⚠ WARNING.** Do not allow any liquid to come into contact with the charger. There is a danger of electric shock. Do not position the tool or battery charger near water; for example, near a sink, wash bowl or toilet. Do not spill liquid of any kind on the tool or charger. Doing so may short out parts, causing damage to the product and creating the risk of fire or electric shock.

To reduce the risk of an electric shock, unplug the charger from the power supply before attempting to clean it. To clean tool or charger, wipe with a damp cloth. Use of any other cleaners is not recommended.

Do not place any object on to, or allow anything to rest on the charger.

Make sure that the charger cable is positioned where it will not be stepped on, tripped over or otherwise subjected to damage or stress. Keep the lead away from operating machinery.

# GENERAL POWER TOOL SAFETY WARNINGS

Do not pull on the lead of the charger to disconnect it from the mains power socket.

Do not use an extension cord unless it is absolutely necessary. The use of an improper extension cord could cause the risk of fire, electric shock or electrocution.

Never attempt to connect two chargers together.

Do not charge batteries or use the tool and battery pack in locations where the temperature may be below 40°F(4°C) or exceed 104°F(40°C) such as alongside sheds or metal structures.

If you wish to charge a second battery pack, unplug the charger from the mains supply and leave it for at least 15 minutes. After this time you can charge a second battery pack.

## ADDITIONAL SAFETY INSTRUCTIONS RELATED TO THE BATTERY PACK AND BATTERY SAFETY

Use only the WORKPRO batteries supplied with the WORKPRO Tool or WORKPRO-approved replacements.

Do not use the battery to power any device other than the WORKPRO tool it was sold with.

Charge the battery only with the WORKPRO charger supplied with the tool or WORKPRO-approved replacements and according to the instructions in the WORKPRO Instruction Manual.

Do not charge the battery in a place where static electricity is generated nor let the battery touch something that is statically charged.

The battery can be stored at temperatures between 40°F(4°C) and 104°F(40°C).

Never store or leave your lithium ion battery in temperatures over that recommended otherwise fire may occur.

DO NOT store the Lithium Ion battery anywhere that the temperature can easily reach higher temperatures than recommended -this includes garden type sheds, and vehicles where the inside temperature can climb to dangerous levels in the direct sunlight and on high temperature days. **THINK BEFORE LEAVING YOUR LITHIUM ION BATTERY PACK IN STORAGE.**

The battery can be charged or operated at temperatures between 40°F(4°C) and 104°F(40°C). **NEVER CHARGE YOU LITHIUM ION BATTERY BELOW OR ABOVE TEMPERATURES RECOMMENDED OTHERWISE FIRE OR SERIOUS DAMAGE TO THE BATTERY PACK MAY OCCUR.**

The most suitable temperatures to charge the battery pack are between 68°F(20°C) -77°F(25°C).

Always allow the battery pack to cool down after charging, do not place it in a hot environment such as a metal shed or open trailer left in the sun.

Take care where the tool is stored. Do not store in areas of corrosive fumes, or salt air or similar conditions. Try and store the tool in the packaging supplied with the tool.

Do not dispose of the battery in a fire or put the battery into a microwave oven, conventional oven, dryer, or high-pressure container. Under these conditions, the battery may explode.

Never attempt to open the battery pack, puncture the battery or subject the battery to strong physical shock.

If the plastic housing of the battery pack breaks open or cracks, immediately discontinue its use and do not recharge it. Ensure the battery pack clip is in good condition and will not allow the pack to fall free from the tool. If the clip is damaged or for any reason is not locking the pack in place, Do Not continue to use.

Stop using the battery if it exhibits abnormal heat, odour, colour, deformation, or is in an abnormal condition.

If you detect leakage or a foul odour, it is especially important to keep the battery away from fire. If battery liquid leaks onto your skin or clothes, wash well with clean water immediately. If liquid leaking from the battery gets into your eyes, do not rub your eyes. Rinse your eyes well (for at least 10 minutes) with clean water, and consult a doctor immediately.

Do not use a leaking battery.

Handle batteries with care to avoid shorting the battery with conducting materials, such as nails, screws, metal watch bands, rings, bracelets, and keys. The battery may overheat and could burn you.

After the battery has reached the end of its useful life, we recommend recycling the materials at your local municipal council recycling centre. **DO NOT** attempt to replace the battery cells in the battery pack, repair or modify any part of the battery pack assembly.

When recycling, make it nonconductive by applying insulating tape to the terminals located on the battery.


## WHEN TO CHARGE THE BATTERY

New batteries are shipped in a low charged condition and should be fully charged before Use. The battery pack can be recharged at any time during use, provided the pack is not overheated.

If the battery pack starts to cut out due to low voltage, or previous tasks undertaken can no longer be performed, it is suggested to stop using the tool and recharge the battery.

For storage, it is suggested to recharge the battery between 50% and 75% charge. Charge the device at least once in 3-6 months to preserve battery life span.

## ADDITIONAL SAFETY WARNING FOR ELECTRIC FISH FILLET KNIFE

 **Warning!** Additional safety warnings for electric fish fillet knife:

- Do not use device for other than intended use.
- Do not put the device in water or other liquid, and do not operate knife in water or under running water.
- Remove the battery pack and always engage the

# GENERAL POWER TOOL SAFETY WARNINGS

trigger lock before assembling or disassembling parts, and before maintenance or cleaning.

- Blades are sharp, keep your palm and fingers away from the sharp edge of the blades.
- Remove the blades before charging and cleaning.
- Do not touch surfaces that may be hot. Use handles and knobs provided.
- The intended use is described in this instruction manual. The use of any accessory or attachment or performance of any operation with this tool other than those recommended in this instruction manual may present a risk of personal injury and/or damage to property.

## Safety of Others

- Never allow children, persons with reduced physical, sensory or mental capabilities or lack of experience and knowledge or people unfamiliar with these instructions to use the machine, local regulations may restrict the age of the operator.
- Never operate the machine while people, especially children, or pets are nearby.

## Residual Risks

Additional residual risks may arise when using the tool which may not be included in the enclosed safety warnings. These risks can arise from misuse, prolonged use etc.

Even with the application of the relevant safety regulations and the implementation of safety devices, certain residual risks can not be avoided. These include:

- Injuries caused by touching any rotating/moving parts.
- Injuries caused when changing any parts, blades or accessories.
- Injuries caused by prolonged use of a tool. When using any tool for prolonged periods ensure you take regular breaks.
- Impairment of hearing.
- Health hazards caused by breathing dust developed when using your tool (example: working with wood, especially oak, beech and MDF).

# SYMBOLS

Danger notices and information are clearly marked throughout these instructions for use. The following symbols are used:



Hazard symbols with information on prevention of personal injury and property damage.



Precaution symbol with information on prevention of harm / damage.



Notice symbol with information on how to handle the device properly.



Double insulated for additional protection



Do not expose to rain or water



Do not burn



Read these operating instructions well before you use the tool



Risk of injury when instructions are not followed



Risk of electric shock



Protect the tool from the damp and never expose it to rain

These symbols identify the required personal protection equipment:



Wear safety goggles



Wear ear defenders



Wear safety shoes

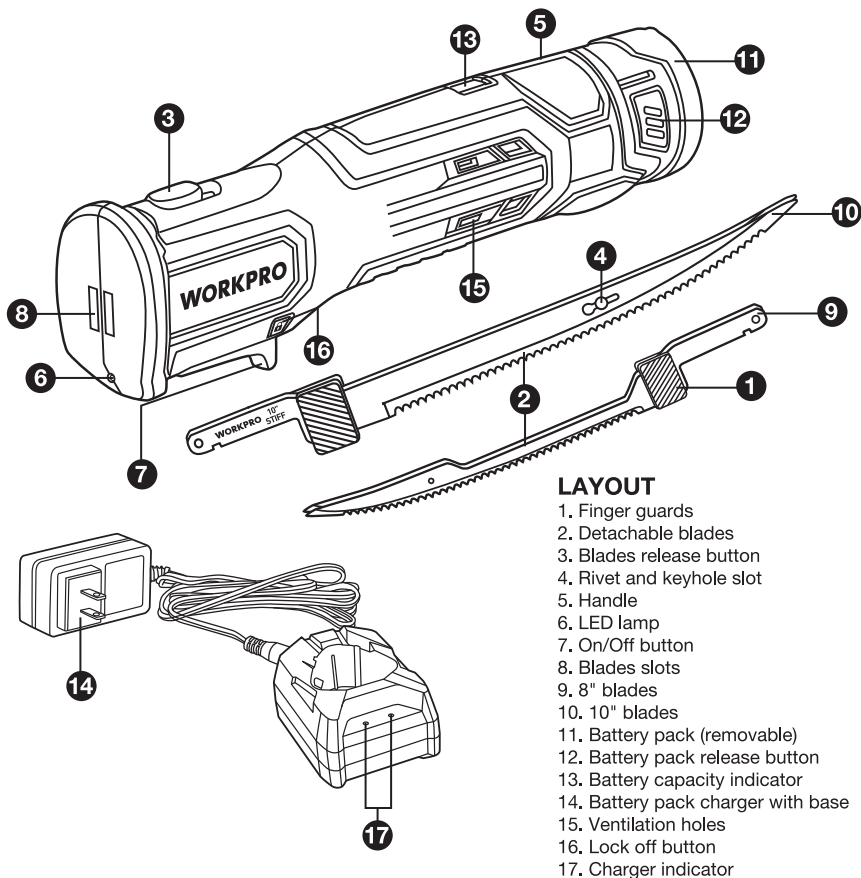


Wear protective gloves



Wear close-fitting work clothes

# KNOW YOUR PRODUCT



# TECHNICAL DATA

<b>CHARGER</b>	
Input	100-240V- 50/60Hz 0,8A
Output	13,5V DC 2,0A
<b>BATTERY PACK</b>	
Battery pack type	Lithium-ion
Battery pack voltage	12V DC/2,0Ah
Capacity	2000mAh
Charging time	Approx. 1 hour
<b>ELECTRIC FISH FILLET KNIFE</b>	
No load speed	2200spm
Stroke	4,5mm
Net weight	0,49kg (1.08lbs) (Battery NOT Included)

# ASSEMBLY

**⚠ WARNING:** Blades are sharp and potentially dangerous. Always keep in a safe place away from children. Only use for intended purpose. cut away from body when using.

**⚠** Only insert the rechargeable battery once the device is completely assembled. If the device is switched on accidentally, there is a danger of injury.

## 1. Installing/removing blades

**⚠ WARNING:** Sharp, edge or point contacting a person or animal may result in cutting, stabbing, puncture, slicing or penetrating injury or death.

**⚠ WARNING:** Improper use, chiseling, ice picking, prying, applying force onto back of blades, or hammering may result in injury, do not use if knife is dull, bent, chipped, loose at its pivot, corroded, damaged or if the handle is broken or loose.

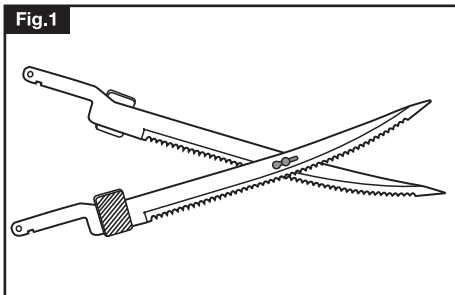
**⚠ WARNING:** Be careful when sheathing and using. Discontinue use of any knife where the retention device is not operating properly, using a knife with a damaged retention mechanism creates a laceration hazard and could result in injury or death.


**⚠ WARNING:** Handle with care, a dropped knife which contacts your body can result in injury or death, do not pick it up by the blades, never carry a knife unless the blades are sheathed as injury or property damage may occur. When not in use, store in its sheath and in a safe place. Keep out of reach of children.

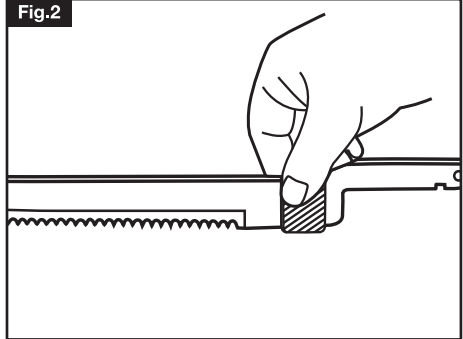
**⚠ WARNING:** Always engage On/Off button lockout when installing and removing blades.


### Installing the blades:

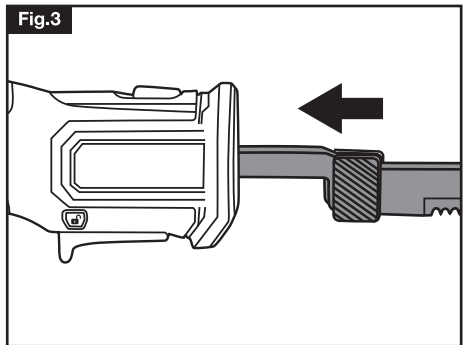
1. Choose appropriately sized blades for your catch.
2. Assemble the blades by sliding the rivet into the keyhole slot, and then position the blades parallel to one another.(Fig. 1) Blades already assembled.



3. Press the lock off button  and take off battery pack, carefully grip the assembled blades by the finger guards and opposite the cutting edge, keep the palm on the dull side of the blades and the fingers away from the sharp edge.(Fig. 2)



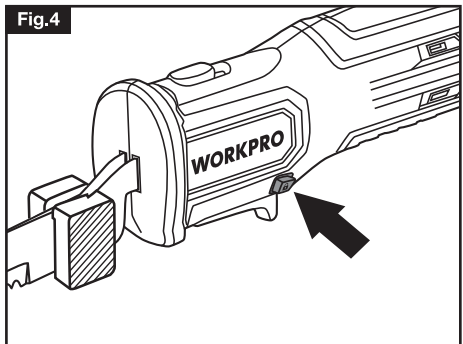
4. Align the rear blades tangs and insert into the electric fillet knife blades slots, insert battery pack then press the lock off button  .(Fig. 3)



5. Once installed, the blades release button should remain at the most forward position of the handle.

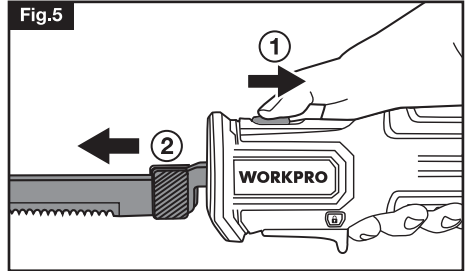
### Removing the blades:

1. Press the lock off button  .(Fig. 4)



# ASSEMBLY

2. Hold the handle with one hand and grip finger guards from the non-sharpened side of the blades. Slide the blades release button away from the blades and remove the blades.(Fig. 5)



# OPERATION



## 1. Charging the battery pack

- Assure that the charger you use are applicable to the battery pack. Plug the charger into the power supply.

The charging status is displayed by the control lights. Power indicator will turn on.

Red light=charging.

Green light=Ready for charging or charging completed.

Charger will automatically stop when charging is completed.

- Press in the release button(12) and remove the battery pack from the device.(Fig. 6-7)
- Insert the battery pack into the sort of charger, and make sure the contact with the charger is correct.(Fig. 8)
- Unplug the charger and disconnect it from the battery pack when finished. Allow the battery pack to cool completely before using it.
- Insert the battery pack into the device and make sure it clicks into place correctly.(Fig. 9-10)
- Store the charger and battery pack indoors, out of reach of children.

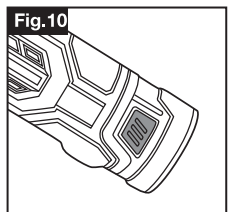
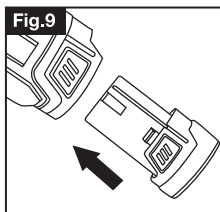
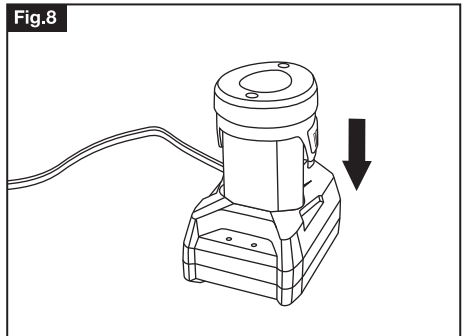
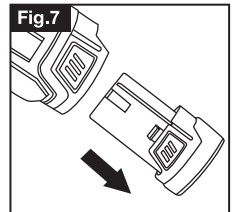
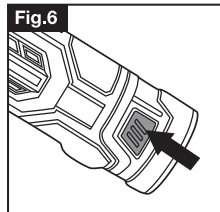
## Battery capacity indicator

There are battery capacity indicator on the tool, you can check the capacity status of the battery if you press the On/Off button. Those 3 LEDs show the status of the capacity level of the battery.

- All 3 LEDs(RED/YELLOW/GREEN) are lit:**  
The battery is fully charged.

- 2 LEDs (RED/YELLOW) are lit:**  
The battery has an adequate remaining charge.


- 1 LED(RED) is lit:**  
The battery is in low power, please recharge the battery.



# OPERATION

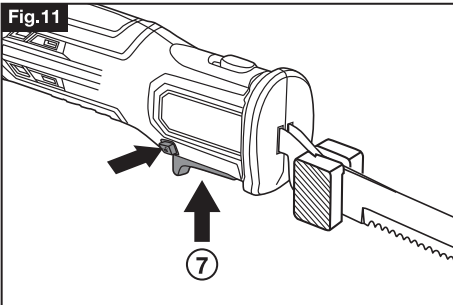
## 2. Switching

Switching on (Fig. 11):

1. Ensure that the battery pack(11) is inserted.
2. Press the lock off button .
3. Press and hold On/Off button (7).



Switching off:


4. Release the On/Off button. Press the lock off button .



## FILLET YOUR CATCH

**⚠ WARNING:** Take special care when handling blades. Always engage trigger lockout before handling blades.


Press the lock off button by this symbol  to lock the trigger, and by this symbol  to unlock the trigger.

1. Place your catch on a cutting board or suitable surface for cleaning fish.
2. Press the lock off button .
3. Hold your catch while lifting the pectoral fin, begin to power through the catch until you reach the spine. Turn the blades 90° and while maintaining the blades at the lateral line of the fillet, power down towards the tail fin, but do not cut through it.
4. Once within a 1/4" or so from the tail fin, use the blades to flip the fillet away from the catch. Angle the blades slightly towards the out skin and power through the fillet. Once the fillet has been removed from the skin, use the tip of the blades to remove the rib cage. Turn your catch and repeat.

**⚠ WARNING:** Please keep the lock off button on lock position after using the device.

# CLEANING AND MAINTENANCE



**DANGER!** Risk of injury! Before any maintenance or cleaning work:  
■ Remove the battery, and press lock off button  to lock the trigger.  
■ Let the device cool down.

## Cleaning



The device must not be sprayed with water or placed in water. Otherwise there is a risk of electric shock.

- Keep the ventilation holes (15) and the motor housing of the device clean. Use a damp cloth or brush to do this. Do not use any cleaning agents or solvents. This could damage the device irreparably.
- Wash blades before and after using with soapy water then dry thoroughly.



**Caution:** Do not clean handle with blades in place. Do not immerse the device in water or other liquids or place it under running water.

- Try to clean resinous surfaces with a damp, lukewarm cloth that has been wrung out well. Make sure that no liquids can get into the interior of the housing!

## Maintenance

- Check the device before each use for obvious defects such as loose, worn or damaged parts.
- Check the covers and protective devices for damage and correct fit. Replace these if necessary.
- Replace a blunt or bent blade or one which has been damaged in some other way.

# STORING AND TRANSPORT

## Storing

- Store the device in a dry and dustproof location and out of reach of children.
- Remove the rechargeable battery pack from the device before storing the device.
- The optimum storage temperature for the battery pack and device is between 40°F/4°C and 104°F/40°C. Avoid extreme cold or heat during storage, so that the battery pack does not lose performance.

- For storage, it is suggested to recharge to 50% and 75% charge. Charge the device at least once in 3-6 months to preserve battery life span.

## Transport

- Secure the appliance against slipping.
- If shipping, use the original packaging wherever possible.

# DISPOSAL

## Disposal of the appliance



This product has been marked with a symbol relating to removing electric and electronic waste. This means that this product shall not be discarded with household waste but that it shall be returned to a collection system.

It will then be recycled or dismantled in order to reduce the impact on the environment. Electric and electronic equipment can be hazardous for the environment and for human health since they contain hazardous substances.

## Disposal of an exhausted battery pack



Li-ion

To preserve natural resources, please recycle or dispose of the battery pack properly. This battery pack contains Li-ion batteries. Consult your local waste authority for information regarding available recycling and/or disposal options. Discharge your battery pack by operating your tool, then remove the battery pack from the tool housing and cover the battery pack connections with heavy-duty adhesive tape to prevent short circuit and energy discharge. Do not attempt to open or remove any of the components.

## Disposal of the packaging



The packaging consists of cardboard and correspondingly marked plastics that can be recycled. Make these materials available for recycling.

**WORKPRO**